

FRANCIS-SCHULZE

COMPANY

distributor of wholesale building materials



Product Guide
3rd Edition

Opening the door to **more possibilities**



Francis-Schulze Company is the largest full line stocking distributor of Masonite entry doors in a multi-state service area including Ohio, Indiana, Michigan and Kentucky.

Founded in 1957 by D.J. Francis, Francis-Schulze Company is a family-owned and operated distributor of wholesale building materials to lumber dealers, home centers and door specialists. Located in Russia, Ohio, we serve a multi-state area including Ohio, Indiana, Michigan and Kentucky.

Our steadfast commitment to quality products, manufacturing excellence and superior customer service has made Francis-Schulze Company an industry leader and dealer of choice for over 50 years.

Customer Service

Devoted to customer service, Francis-Schulze Company is committed to providing customers with innovative, durable and quality products, timely deliveries, competitive pricing and outstanding workmanship.

We are committed to your success by not only offering you **more** designs, **more** options and **more** sales and marketing support, but by providing you with **more** value... and that means **more** money in your pocket!

We are driven every day by our dedication to achieve standards that set the expectations for the marketplace and that are important to you and your customers.

Sales Support

We provide our dealer network with dedicated, well-trained sales and service professionals. Our experienced staff manages customer accounts with professional customer service combined with strong product knowledge and competitive pricing. Our sales representatives can address specific requirements, quotes, technical questions and all other special requests. As always, we conduct business with the integrity you have come to know and respect and stand ready to meet our customer's every need.

VALUE – We offer you more of the best for less by providing better products, more options, exceptional customized service – all at a competitive price.

QUALITY – We deliver a wide range of durable, long-lasting products that fulfill many building requirements.

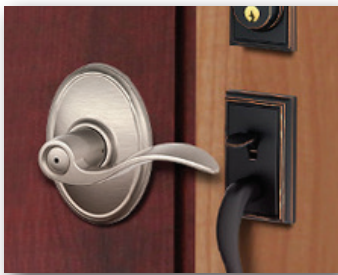
SUPPORT – We provide you with the customer support, warranties and sales and marketing materials you need.

INNOVATION – We are at the forefront of new and innovative ideas that have high customer appeal, so you can confidently satisfy your most demanding clients.



Product Lines

Francis-Schulze Company is the wholesale distributor of choice for the highest quality products in the building industry.



Index

This product guide contains a selection of the product lines we carry. For additional information on all products, call Francis-Schulze at **800.762.1229**.

4 Hardware & Locksets

8 Storm Doors

10 Aluminum Columns

12 Aluminum Railing

16 Fiberglass Columns

18 PVC Columns

19 Synthetic Posts

20 Fiberglass Pergolas

21 Shutters

22 Garage Doors

31 Exterior Doors

32 Distribution

Schlage Locksets



Schlage makes the small details count!

Express yourself with a range of contemporary handles that are world-renowned for their quality. Easy to install, durable and secure, each handle comes with a lifetime warranty that gives peace-of-mind.



Schlage F Series – Levers & Knobs



Accent

Avanti

Avilla

Birmingham

Broadway

Champagne

Elan

Flair

Latitude

Manhattan

Merano

Andover

Bowery

Georgian

Orbit

Plymouth

Sienna

Function Codes

- F10 - Passage
- F40 - Privacy
- F51 - Keyed Entrance
- F59 - Interior Trim of Handleset
- F170 - Dummy
- F170 Dummy locksets also available.*

Schlage F Series – Exterior Handlesets



Addison

Camelot

Century

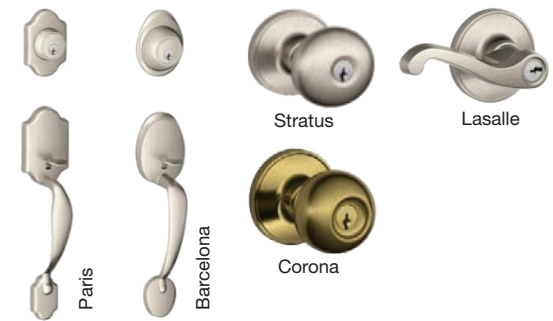
Plymouth

Wakefield

Function Codes

- F58 - Exterior Trim of Handleset
- F59 - Interior Trim of Handleset
- F58 & F59 make a complete set.*

Schlage J Series – In Stock



Stratus

Lasalle

Corona

Function Codes

- J54 - Keyed Entrance
- JD60 - Single Cylinder Deadbolt
- JH58 - Outside Trim of Handleset
- JH59 - Inside Trim of Handleset

Schlage B Series – Deadbolts



Single Cylinder

Double Cylinder

Function Codes

- B60 - Single Cylinder
- B62 - Double Cylinder

Schlage Electronic Locks & Deadbolts



Camelot/
Georgian

Camelot/
Accent

Camelot

Plymouth

Function Codes

- FE595 - Keypad & Knob/Lever (flex-lock)
- BE365 - Keypad & Deadbolt (flex-lock)

Schlage Locksets

Finishes



605
Bright Brass



608
Satin Brass



609
Antique Brass



618
Polished Nickel



619
Satin Nickel



620
Antique Pewter



621
Distressed Nickel



622
Matte Black



625
Bright Chrome



626
Satin Chrome



716
Aged Bronze



Finish Options											
Style	605	608	609	618	619	620	621	622	625	626	716
F Series – Levers & Knobs (F10, F40, F51, F59)											
Accent	x	x	x	x	x	x	x	x	x	x	x
Avanti			x		x						x
Avilla	x		x		x				x	x	x
Birmingham					x				x		x
Broadway					x			x	x	x	x
Callington					x						x
Champagne					x						x
Elan	x		x		x			x	x	x	
Flair	x	x	x		x	x			x	x	x
Latitude		x		x	x			x	x	x	x
Manhattan					x				x	x	x
Merano					x			x	x	x	x
St. Annes			x		x						x
Andover	x		x		x	x			x	x	x
Bowery				x	x			x	x	x	x
Georgian	x	x	x		x	x	x	x	x		x
Orbit	x				x				x	x	
Plymouth	x		x		x	x		x	x	x	x
Sienna	x		x		x	x		x	x	x	x
F Series – Exterior Handlesets (F58 & F59 make a complete set)											
Addison			x		x	x	x	x	x		x
Camelot	x	x	x	x	x	x		x	x		x
Century				x	x			x	x	x	x
Plymouth	x		x	x	x	x		x	x	x	x
Wakefield				x	x	x		x	x		x
B Series – Deadbolts (B60, B62)											
Deadbolt	x	x	x	x	x	x	x	x	x	x	x
Electronic Locks & Deadbolts (FE595, BE363)											
Camelot/Georgian			x		x						x
Camelot/Accent			x		x	x				x	x
Camelot			x		x	x				x	x
Plymouth			x		x	x				x	x
J Series – In Stock Locksets (J54, JD60, JH58, JH59)											
Corona			x								
Stratus	x				x						x
Lasalle	x		x		x						x
Deadbolt	x		x		x						x
Barcelona	x		x		x						x
Paris	x		x		x						x

Trillenium® Multi-Point Locking Systems



Protect your home. Preserve your style.

Trillenium® delivers 3x the strength, 3x the security and 3x the performance with one multi-point locking system, resulting in maximum peace of mind and homeowners satisfaction. Trillenium's superior strength works when others fail, achieving the industry's highest rating for structural and forced entry testing.



Performance

Corrects misalignment in 3 different directions, even fighting deflection when unlocked for lasting, error-free operation.



Protection

Delivers the strength of 3 full deadbolts for uncompromised protection. No weak hooks or catches. Just tested, proven strength.



Strength

One-piece I-Beam lock construction is so strong, it even strengthens the door panel.



Easy Operation

Easy to use. It activates with a single turn of the key or thumbturn, and releases with just a single turn of the interior handle.



Trillenium® Hardware



Curved Entry Set



Horizon Entry Set



Pinnacle Entry Set



Rectangular Entry Set



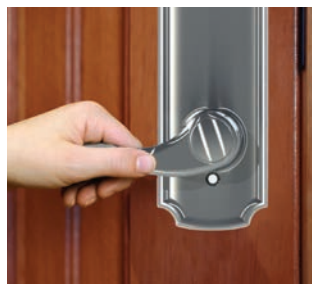
Eclipse Entry Set



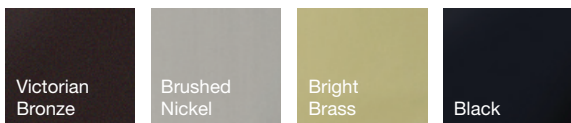
Eclipse Grip Lever with Eclipse Interior

Hardware comes in:

- 6/8 or 8/0 Door Heights
- Entry, Inactive and Dummy Functions



Finishes



Trillenium® Finish Options

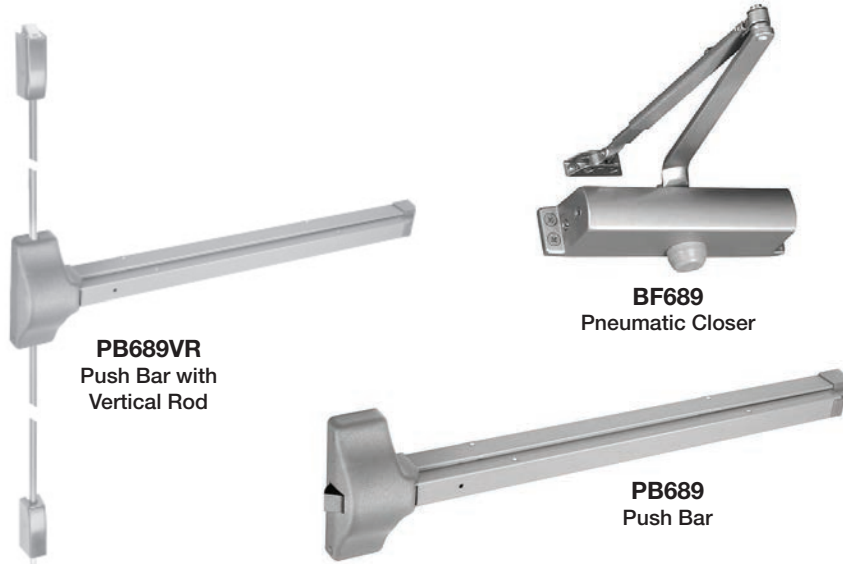
Style	Victorian Bronze	Brushed Nickel	Bright Brass	Black
Curved	x	x		x
Horizon	x	x	x	
Pinnacle	x	x	x	
Rectangular	x	x		x
Eclipse Entry	x	x	x	x
Eclipse Grip	x	x	x	x



Yale Commercial Hardware

Innovative and Reliable!

Yale's commercial solutions offer innovative and reliable products to solve the challenges of commercial, retail, hospitality, assisted living and multi-family properties. Yale's expertise extends beyond products to people – and provides the service and support you expect. The tough, sturdy construction of Yale commercial hardware is ideal for meeting the rigors of demanding industry environments. You can expect long life and reliability at an economical price.



AU441 / AU441DA2
Push Bar Exterior Trim
(Lever / Keyed Lever)



AU4607LN
Keyed Entry Lever



D212
Keyed Deadbolt
Single Cylinder

Yale Commercial Hardware Options

Part #	Description	Grade
PB689	Push Bar	1
PB689VR	Push Bar with Vertical Rod	1
BF689	Pneumatic Closer	1
AU441	Push Bar Exterior Trim - Lever	1
AU441DA2	Push Bar Exterior Trim - Keyed Lever	1
AU4607LN	Keyed Entry Lever	2
D212	Keyed Deadbolt, Single Cylinder	2

All styles are available in your choice of aluminum finish or dark bronze finish. There is an additional fee for the bronze finish.

Push bars can be used without exterior trim or as a combination of the push bar with your choice of active lever or locking lever exterior trim sets.



Gerkin Storm Doors



Why Gerkin?

Decades of Proven Performance

Gerkin Windows and Doors has been building storm doors for over 60 years. We know that quality comes first. All too often, manufacturers try to build a door that fits a particular price point while forgetting about quality and value.

Gerkin offers three storm door categories: Classic, Uniquely Yours and Cabrio. All of our doors are guaranteed for as long as you own your home.



Features



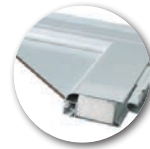
Lifetime Hinges
Our self-lubricating hinges are made from extruded aluminum and have an exclusive lock-in feature.



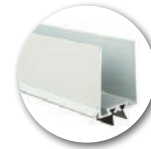
Foam Insulated Frame
Heavy-duty, smooth aluminum with baked-on enamel finish is foam insulated for better energy efficiency.



Concealed Installation Screws
All Gerkin doors come with z-bar screw covers. This ensures a clean and finished appearance from the outside.



Aluminum Clad, Polyethylene Core Kick Panels
Our kick panels are built "kid tough" to withstand years of daily use.



Adjustable Sill Expander
Two flexible sweeps and our sloped design expander provide a tight seal at the threshold.



Deep Wool Pile Weatherstripping
This excellent weatherstripping seals out the elements at the head and jambs.

Classic Storm Doors

Featuring our best selling doors, using the most popular combinations of models, colors and hardware, the Classic line gives you everything you would expect from a premium storm door, no matter what your price range or home style might be.



9C1A

- Self-storing ventilation
- High kick panel
- Heavy-duty extruded mainframe
- Colors: white, bronze
- Sizes: 32", 36"



9C2A

- Self-storing ventilation
- Large glass area for light and ventilation
- Low kick panel
- Heavy-duty extruded mainframe
- Colors: white, bronze
- Sizes: 30", 32", 36"



9C4A

- Full-view design
- Heavy-duty screen included
- Heavy-duty extruded mainframe
- Colors: white, bronze
- Sizes: 32", 36"



9C5A

- Full-view design
- Screened lower vent
- Heavy-duty screen included
- Heavy-duty extruded mainframe
- Colors: white, bronze, sandstone
- Sizes: 32", 36"



8C9A

- Full-view design
- Retractable screen
- Built-in balance for an easy-to-operate sash
- 1-3/4" heavy-duty extruded mainframe
- Colors: white
- Sizes: 36"



CLASSIC Hardware

Dakota Painted
Stylish, ergonomically-friendly handle looks and feels great!

Classic doors come standard with color matched Dakota hardware.

Colors

White

Almond

Sandstone

Bronze

Black

Gerkin Storm Doors



Uniquely Yours Storm Doors

Doors perfectly designed for your home, your budget and your lifestyle, offering a huge range of custom combinations.



901
Self-storing, high kick panel



902
Self-storing, low kick panel



903
Removable full view with screen, lower vent



904
Removable full view with screen



905
Fixed full view, lower vent



906
Fixed full view, 1/2" insulated Low E glass, lower vent



907
Full view screen only, reinforcing center mullion



911
Removable 1-lite with screen, high kick panel



912
Self storing, decorative grill and molding, high kick panel



914
Self storing, decorative grill and molding, low kick panel



949
Self storing, full view

Cabrio Storm Doors

A new generation of doors highlighted by a retractable screen, which is hidden away in the head of the door when ventilation isn't needed, providing a beautiful, clear view!



801
Self-storing, retractable screen, high kick panel



802
Self-storing, retractable screen, low kick panel



809
Self-storing, full view, retractable screen

Customizable Storm Doors

UNIQUELY YOURS & CABRIO

- 1 Choose the Model
- 2 Choose the Hardware
- 3 Choose the Accessories
- 4 Choose the Color

Hardware



Dakota Painted
Color-Matched



Dakota Plated
With Deadbolt



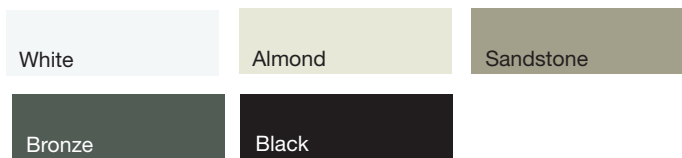
Seville Plated
With Deadbolt

Accessories

- Brass sill expander
- Pewter sill expander
- Head ventilator
- Traditional molding
- Provincial molding
- Prehung doors
- Change 2 light-duty to 2 heavy-duty closers
- Change 1 heavy-duty to 2 heavy-duty closers
- Change 1 heavy-duty to 2 light-duty closers

Note: Dakota hardware includes 1 heavy-duty closer and wind chain. Seville hardware includes 2 light-duty closers. Plated hardware available in brass, pewter and oil rubbed bronze.

Colors



Color & Size Options

Model	901	902	903	904	905	906	907	911	912	914	949	801	802	809
Colors	Almond	x	x	x	x	x	x	x	x	x	x	x	x	x
	Bronze	x	x	x	x	x	x	x	x	x	x			
	Sandstone	x	x	x	x	x	x	x	x	x	x	x	x	x
	White	x	x	x	x	x	x	x	x	x	x	x	x	x
	Black			x	x	x	x	x						
Sizes	30" x 81"		x											
	32" x 81"	x	x	x	x	x	x	x	x	x	x	x	x	x
	36" x 81"	x	x	x	x	x	x	x	x	x	x	x	x	x
	Custom Size	x	x	x	x	x	x	x	x	x	x	x	x	x

Note: Double door kits and custom widths (24"-42") and heights (68"-98") are available. Call for details.

Superior Aluminum Columns



Strong, Durable and Maintenance-Free Aluminum

A blend of traditional and modern styles combine with **load-bearing strength** and **wrap-around functionality** to make aluminum columns an ideal companion for overhanging structures. Superior Aluminum columns are available in four profiles in diameters up to 30" and lengths up to 30'. These beautiful aluminum products are built to last a lifetime!



Round Fluted



Square Fluted



Square Smooth



Square Panel

Finishes



White



Black



Dark Bronze



Sandstone/Clay



Mill

Round Fluted Columns – Dimensions & Load Bearing Data

Nominal Diameter	Outside Diameter	Inside Diameter	Max. Square Encaseable*	No. Staves	Load Lbs.**	Standard Lengths	
						White	Colors
Round Fluted							
6"	5-5/8"	4-3/4"	3-1/2"	3	16,000	<u>8'</u> , 9', 10', 20'	<u>8'</u> , 10', 20'
8"	8"	7-1/8"	5-1/4"	3	19,000	<u>8'</u> , 9', 10', 12', 20'	<u>8'</u> , 10', 12', 20'
10"	10"	8-7/8"	6-1/4"	4	28,000	8', 9', 10', <u>12'</u> , 20'	8', 10', <u>12'</u> , 20'
12"	11-1/4"	9-7/8"	6-7/8"	5	30,000	10', <u>12'</u> , 16', 20'	10', <u>12'</u> , 20'
15"	14-3/8"	13-1/8"	9-1/4"	6	34,000	<u>12'</u> , 16', 20', 24'	<u>12'</u> , 16', 20', 24'
18"	18"	16"	11-5/16"	6	38,000	16', 20', 24', <u>24'</u>	16', 20', 24', <u>24'</u>
24"	24"	22"	15-9/16"	6	58,000	16', 20', 24', 30', <u>30'</u>	20', 24', 30', <u>30'</u>
30"	30"	28"	19-13/16"	8	58,000	16', 20', 24', 30', <u>30'</u>	20', 24', 30', <u>30'</u>

*Largest size support structure that can be enclosed by the corresponding wrap-around column.

**Wraparound applications of 10" diameter and greater are non-load bearing.

Tested lengths are underlined.

Square Columns – Dimensions & Load Bearing Data

Nominal Diameter	Outside Diameter	Max. Square Encaseable*	No. Staves	Load Lbs.	Standard Lengths	
					White	Colors
Square Fluted						
4"	4"	3-1/8"	2	13,000	<u>8'</u> , 10'	<u>8'</u>
6"	5-1/2"	4-5/8"	4	12,000	<u>8'</u> , 9', 10', 20'	<u>8'</u> , 10', 20'
8"	7-1/2"	6-1/2"	4	10,000	8', 9', 10', 12', 20'	8', 10', 12', 20'
10"	9-1/2"	8-1/2"	4	33,000	8', 9', 10', <u>12'</u> , 20'	8', 10', <u>12'</u> , 20'
12"	11-1/2"	10-1/2"	4	27,660	10', 12', 16', 20', <u>20'</u>	10', 12', 20', <u>20'</u>
16"	15-1/2"	13-3/4"	4	13,000	<u>16'</u> , 20', 24'	<u>16'</u> , 20', 24'
Square Panel						
6"	5-1/2"	4-3/16"	4	38,000	8', 9', 10', 20', <u>20'</u>	8', 10', 20', <u>20'</u>
8"	7-1/2"	6-3/16"	4	60,000	8', 9', 10', 12', 20', <u>20'</u>	8', 10', 12', 20', <u>20'</u>
10"	9-1/2"	8-1/8"	4	80,000	8', 9', 10', <u>12'</u> , 20', <u>20'</u>	8', 10', <u>12'</u> , 20', <u>20'</u>
12"	11-1/2"	10-1/8"	4	75,000	10', 12', <u>16'</u> , 20', <u>20'</u>	10', 12', 20', <u>20'</u>
16"	15-1/2"	13-7/8"	8	75,000	<u>16'</u> , 20', 24'	<u>16'</u> , 20', 24'
Square Smooth						
4"	4"	-	1	15,000	8', 10'	8'
6"	5-1/2"	4-9/16"	4	13,000	<u>8'</u> , 9', 10', 20'	<u>8'</u> , 10', 20'
8"	7-1/2"	6-1/2"	4	19,000	8', 9', 10', 12', 20', <u>20'</u>	8', 10', 12', 20', <u>20'</u>
10"	9-1/2"	8-1/16"	4	45,000	8', 9', 10', 12', 20', <u>20'</u>	8', 10', 12', 20', <u>20'</u>
12"	11-1/2"	10-1/16"	4	50,000	10', 12', <u>16'</u> , 20', <u>20'</u>	10', 12', 20', <u>20'</u>



Round Fluted

Square Fluted

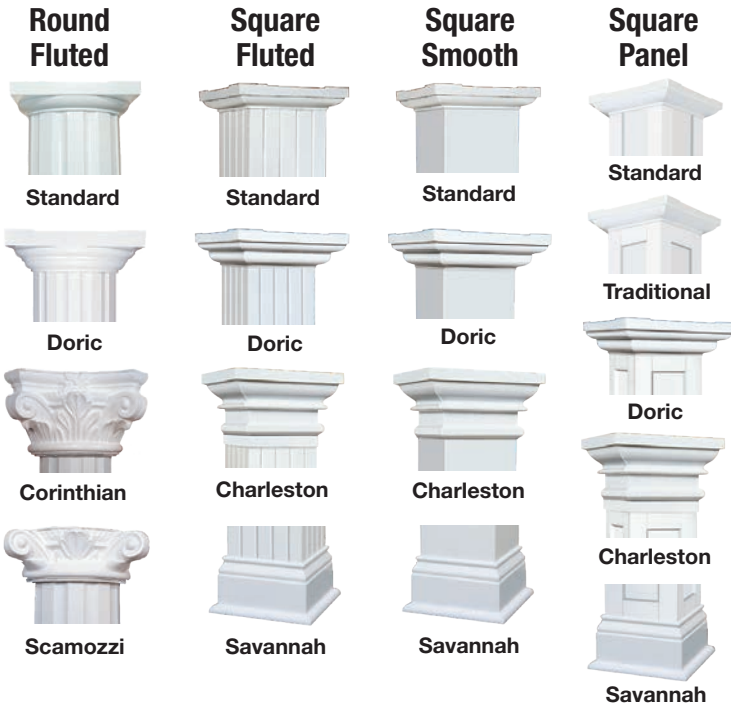
Square Panel

Square Smooth

*Largest size support structure that can be enclosed by the corresponding wrap-around column. Tested lengths are underlined.

Superior Aluminum Columns

Cap & Base Styles



Cap & Base Configurations

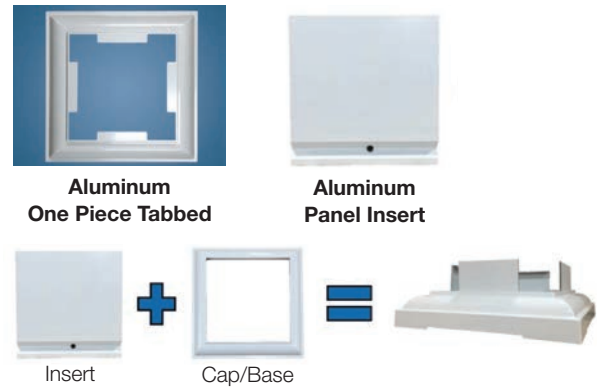
Round Fluted



Square Fluted, Smooth & Panel



Square Panel Only



Note: ALL square panel caps/bases, except the 6" and 8" One Piece Tabbed, require inserts.

Square Smooth Only



Square Fluted & Smooth Welded Cap Options



Round Fluted Cap/Base Sizes									
Style		6"	8"	10"	12"	15"	18"	24"	30"
Standard	One Piece	x	x	x	x	x	x	x	
	Puzzle-Lock	x	x	x	x	x	x	x	
	Snap Together	x	x						
Doric	One Piece		x	x	x	x	x	x	x
	Puzzle-Lock		x	x	x	x	x	x	x
Scamozzi*	One Piece		x	x	x	x	x	x	
Corinthian*	One Piece		x	x	x	x	x	x	

*Cap only. Comes with standard base.

Square Fluted & Smooth Cap/Base Sizes							
Style		4"	6"	8"	10"	12"	16"
Standard	One Piece	x	x	x	x	x	x
	Puzzle-Lock	x	x	x	x	x	x
	Snap Together		x	x			
Doric	One Piece		x	x	x	x	x
	Puzzle-Lock		x	x	x	x	x
Charleston*	One Piece		x	x	x	x	x
	Puzzle-Lock		x	x	x	x	x
Savannah**	One Piece		x	x	x	x	x
	Puzzle-Lock		x	x	x	x	x

*Cap only. Comes with standard base. **Base only. Comes with standard cap.

Square Panel Cap/Base Sizes							
Style		4"	6"	8"	10"	12"	16"
Standard	One Piece Tabbed		x	x			
	One Piece	x	x	x	x	x	x
Traditional	Puzzle-Lock	x	x	x	x	x	x
	Snap Together		x	x			
Doric	One Piece		x	x	x	x	x
	Puzzle-Lock		x	x	x	x	x
Charleston*	One Piece		x	x	x	x	x
	Puzzle-Lock		x	x	x	x	x
Savannah**	One Piece		x	x	x	x	x
	Puzzle-Lock		x	x	x	x	x

*Cap only. Comes with standard base. **Base only. Comes with standard cap.

Superior Aluminum Railing



Safety comes first with Superior aluminum railing. Our railing is code compliant in virtually any setting. Each railing project is custom built to exact project specifications and assembled in-house. All that needs done on a jobsite is to place and anchor the railing – no onsite assembly necessary. Plus, Superior railing offers all the advantages of aluminum: strong, durable, rust- and corrosion-free. The exceptional design of our railing systems adds a distinct finishing touch to any project.

Features

- Variety of unique railing styles to choose from
- Code-compliant in virtually any setting
- All railing is built with durable, high-quality aluminum extrusions and castings
- Strong, durable, no-maintenance
- Rust and corrosion-free
- Matching pipe handrail for stairs or ramps

Series 9P & 9W – Picket Railing & Wide Picket Railing

Series 9P Picket and 9W Wide Picket Railing provide an attractive and safe solution that makes as much sense on a 13th-floor balcony as it does on a front porch.

- Completely customizable with options for style, top/bottom rail, posts and pickets
- Concealed picket screws
- Pocket posts eliminate the need for brackets on level and ramp railing
- Available in standard heights of 36" and 42", as well as custom heights



Series 9P Picket Railing
3/4" x 3/4" pickets



Series 9W Wide Picket Railing
3/4" x 1-1/2" pickets



Standard Top Rail

Open Double Top Rail

Double Top Rail with Through Pickets

**Multiple top rail and picket Inserts are available. Please call for details.*



Concealed Picket Screws

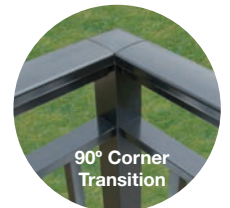


Pocket Post

Series 9S – Seamless Railing

Series 9S Seamless Railing offers the form and function of a traditional railing system but utilizes a continuous top rail system to make it unique.

- Seamless transitions in top rail around corners and from horizontal to ramp or step railing
- Continuous graspable handrail and clean lines
- Machined post openings eliminate the need for brackets
- Concealed hardware and picket screws
- Available in standard heights of 36" and 42", as well as custom heights



90° Corner Transition



Custom Corner Transition



Custom Top Step Transition



Standard Top Rail

Open Double Top Rail

Double Top Rail with Through Pickets

Double Top Rail with Inserts

Ring or Diamond Inserts Available

Superior Aluminum Railing

Series 9H – Horizontal Railing

Series 9H Horizontal Railing creates beautiful aesthetics by turning traditional railing on its side. The simple elegance of horizontal lines creates a truly unique look.

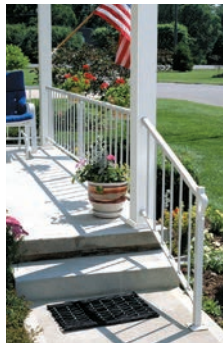
- Horizontal pickets are securely fastened into the post via an innovative fastening system
- Lower horizontal lines are reinforced to absorb weight from resting feet



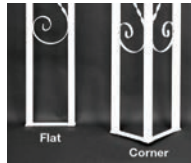
Series 6E & 6D – Economy Picket Railing and Decorative Ornamental Columns

Series 6E Economy Picket Railing creates a more subtle look than other commercial railing options might provide. Designed specifically for the residential market, it boasts numerous customization options and can be combined with Series 6D Decorative Ornamental Columns to complete the look.

- Pickets available as straight and/or twisted
- Numerous scroll and cast inserts available
- Available in 32", 36" or 42" heights
- Can be purchased factory assembled or as a knocked down kit

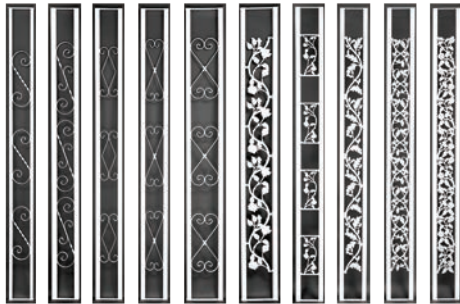


Straight and/or Twisted Pickets



*Decorative columns are available in 9" and 12" widths and as a flat or corner column.

Series 6D Decorative Ornamental Columns*



Series 5H & 5P – Pipe Railing & Pipe Picket Railing

Series 5H Pipe Railing and 5P Pipe Picket Railing utilize a non-welded design with concealed fasteners to create an efficient yet stylish product. Pipe railing also makes an excellent companion to any Superior railing series as a handrail application.

- Non-welded design with concealed fasteners
- Easily attaches to guardrail for handrail applications
- Code-compliant on stairs and ramps when paired with guardrail
- Available in standard heights of 32", 36", 42", and 48", as well as custom heights



Guardrail with Pipe Handrail Application



Series 5H Pipe Railing



Series 5P Pipe Picket Railing

Superior Aluminum Railing



Series 9C & 9CS – Cable Railing & Seamless Cable Railing

Series 9C Cable Railing or 9CS Seamless Cable Railing is the perfect solution for projects with a view or those wanting to add a modern touch. Seamless Cable Railing combines the clear visibility of cable railing with a continuous top rail system for a streamlined, sophisticated look.

- Rust-resistant stainless steel cables
- All fasteners hidden inside posts
- No unsightly turnbuckles, bulky fasteners, or stabilizing pickets required



Fittings concealed inside post



Series 9C Cable Railing



Series 9CS Seamless Cable Railing

Series 5C – Pipe Cable Railing

Trading square components for round pipe transforms Series 5C Pipe Cable Railing into an unrivaled blend of modern and industrial style without sacrificing sight lines or safety.

- Spruce up modern or industrial settings
- Framework is built with schedule 40 pipe and reinforced posts
- Rust-resistant stainless steel cables
- All fasteners hidden inside framework
- No unsightly turnbuckles, bulky fasteners, or stabilizing pickets required



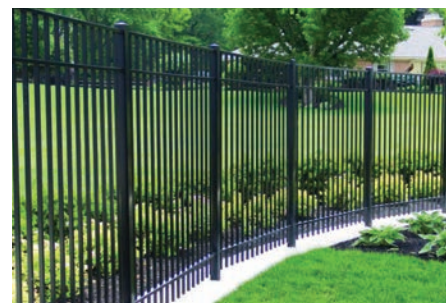
Series 7P – Picket Fence

Series 7P Picket Fence provides strength, safety and security where you need it, without sacrificing aesthetics. This maintenance-free fencing is an excellent choice for perimeter and pool fencing, or any location where security is a must. With a huge range of design styles and options, it's easy to create the perfect look.

- Screw covers and pocket post technology create a streamlined look
- Ornaments, inserts, and scrolls available
- Wide range of design styles and options to choose from to customize your fence
- Available in standard heights of 60" and 72", as well as custom heights
- Ships in ready-to-install panels
- Custom gates & locks available



Picket spear options



Superior Aluminum Railing

Finish Options

Standard Finishes



White



Black



Dark Bronze



Sandstone



Satin Anodized



1 Hour Anodized



1 Hour Brushed Anodized

Finish Options*

Railing Series	9P	9W	9S	9H	6E	5H	5P	9C	9CS	5C	7P
White	x	x	x		x	x	x	x	x	x	x
Black	x	x	x	x	x	x	x	x	x	x	x
Dark Bronze	x	x	x		x	x	x	x	x	x	x
Sandstone	x	x	x			x	x			x	x
Satin Anodized	x	x	x		x	x	x	x	x	x	x
1 Hour Satin Anodized						x	x				
1 Hour Brushed Anodized						x	x				

*Standard finishes utilize PPG Duracon paint. Additional finishes may be subject to increased costs on specific product lines. Duranodic and colored anodized versions of all finishes are available for an added fee. Custom colors are available for an added fee. Satin Anodized square post products may require extra structural posts when compared to standard finishes.

Aluminum Railing – Product Data

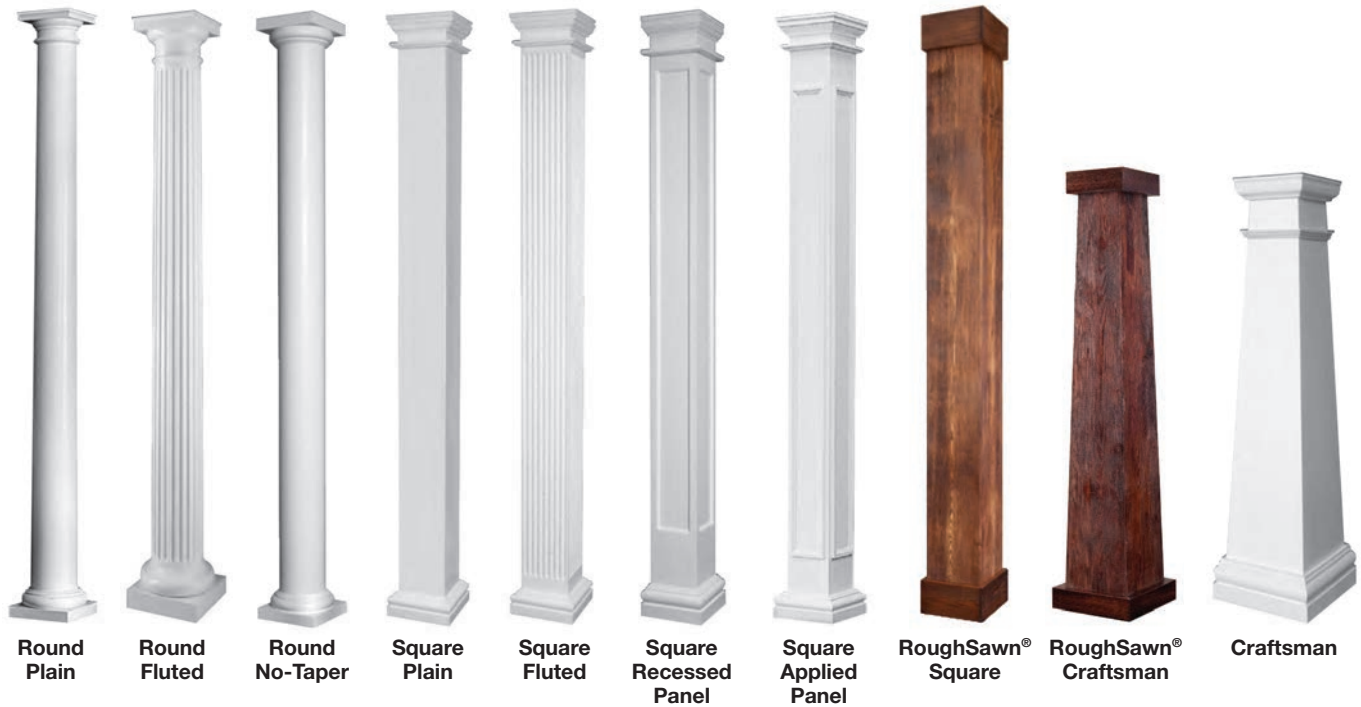
Product Line	Post Sizes	Top Rail Sizes	Infill Style	Infill Sizes	Common Applications	Assembled to Job Specifications?
Series 9P Picket Railing	2" 2-1/2" 4"	2-1/2" x 1-5/8" 2" x 4" 2" x 1-5/8"	Aluminum Pickets	3/4" x 3/4"	Multi-Family, Educational, Residential, Commercial, Municipal	Yes
Series 9W Wide Picket Railing	2" 2-1/2" 4"	2-1/2" x 1-5/8" 2" x 4" 2" x 1-5/8"	Aluminum Pickets	3/4" x 1-1/2"	Multi-Family, Educational, Residential, Commercial, Municipal	Yes
Series 9S Seamless Railing	2"	2-1/2" x 1-5/8"	Aluminum Pickets	3/4" x 3/4" 3/4" x 1-1/2"	Multi-Family, Educational, Commercial, Athletic, Contemporary Locations	Yes
Series 9H Horizontal Railing	3"	2" x 1-5/8"	Horizontal Square Pickets	3/4" x 1-1/2"	Multi-Family, Upscale Residential, Commercial, Modern Environments	Yes
Series 6E Economy Picket Railing	1-1/2"	1-1/2" x 1-1/2"	Aluminum Pickets	1/2" x 1/2"	Residential - Porches & Decks	Yes
Series 5H Pipe Railing	1-1/2" Schedule 40 Pipe	1-1/2" Schedule 40 Pipe	Horizontal Pipe	1-1/2" Schedule 40 Pipe	Handrail, WWTP, Industrial, Commercial, Athletic, Educational	Yes
Series 5P Pipe Picket Railing	1-1/2" Schedule 40 Pipe	1-1/2" Schedule 40 Pipe	Pipe Pickets	3/4" Pipe	Multi-Family, Educational, Commercial, Churches	Yes
Series 9C Cable Railing	2½"	2" x 1-5/8"	Type 316 Stainless Steel Cable	3/16" Cable	Settings with a View, Educational, Multi-Family, Modern Environments	Yes
Series 9CS Seamless Cable Railing	2"	2-1/2" x 1-5/8"	Type 316 Stainless Steel Cable	3/16" Cable	Settings with a View, Educational, Multi-Family, Modern Environments	Yes
Series 5C Pipe Cable Railing	1-1/2" Schedule 40 Pipe	1-1/2" Schedule 40 Pipe	Type 316 Stainless Steel Cable	3/16" Cable	Industrial, Settings with a View, Multi-Family, Upscale Residential	Yes
Series 7P Picket Fence	2" 2-1/2" 4"	2-1/2" x 1-5/8" 2" x 4" 2" x 1-5/8"	Aluminum Pickets	3/4" x 3/4"	Swimming Pools, Athletic, Residential, Secure Areas	Yes

HB&G Fiberglass Columns



PermaCast® Collection – Fiberglass Column

HB&G's PermaCast® columns are made from a proprietary blend of fiber-reinforced polymers. They are aesthetically pleasing with exceptional load bearing capabilities. These durable, low maintenance columns are rot-proof, weatherproof, insect proof, and come with a Limited Lifetime Warranty.



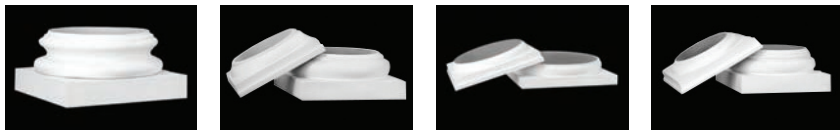
Note: All PermaCast® columns, except RoughSawn® and Square Recessed Panel, can be factory split to wrap an existing post. Split columns are not load bearing. *Products shown have been painted for demonstration purposes. All columns are shipped unfinished and must be primed and painted after installation.

Cap & Base Configurations

Round Caps/Bases



Roman Corinthian Temple of the Winds Roman Ionic Greek Ionic Scamozzi



Attic Tuscan Cap/Base Colonial Cap/Base Doric Cap/Base

Square Caps/Bases



Roman Corinthian Temple of the Winds Roman Ionic Greek Ionic Scamozzi



Crown Attic Tuscan Cap/Base Colonial Cap/Base Beveled Cap/Base

RoughSawn®



4" Trim



6" Trim



3.5" Beveled Trim
(Craftsman only)



24" Brace

HB&G Fiberglass Columns



Column Dimensions & Load Bearing Data				
Width/ Diameter	Lengths Available (ft.)	Eccentric Load (Offset)		Concentric Load (Centered)
		Avg. Allowable Load (lbs.)	Avg. Ultimate Load (lbs.)	Load (lbs.)
Round Tapered - Pain & Fluted*				
6"	4, 6, 8'	4,580	22,900	8,000
8"	5, 6, 8, 9, 10'	4,600	23,000	10,000
10"	6, 8, 9, 10, 12'	4,690	23,450	14,000
12"	6, 8, 9, 10, 12, 14, 16, 18'	4,800	24,000	18,000
14"	8, 9, 10, 12, 14, 16, 18'	7,800	39,000	20,000
16"	8, 10, 12, 14, 16, 18, 20'	8,250	41,250	20,000
18"	8, 10, 12, 14, 16, 18, 20, 22, 24, 26'	10,000	50,000	20,000
20"	10, 12, 14, 16, 18, 20, 22, 24'	10,000	50,000	20,000
22"	16, 18, 20, 22, 24, 26'	10,000	50,000	20,000
24"	12, 14, 16, 18, 20, 22, 24, 26, 28, 30'	10,000	50,000	20,000
28"	20, 22, 24, 26, 28'	10,000	50,000	20,000
30"	20, 22, 24, 26, 28, 30'	10,000	50,000	20,000
Round No-Taper - Plain & Fluted*				
8"	6, 8, 9, 10'	4,590	22,950	10,000
10"	6, 8, 9, 10, 12'	4,670	23,350	14,000
12"	6, 8, 9, 10, 12'	4,750	23,750	18,000
14"	6, 8, 9, 10, 12, 14'	7,000	35,000	20,000
16"	6, 8, 9, 10, 12, 14, 16, 18, 20'	7,000	35,000	20,000
18"	6, 8, 9, 10, 12, 14, 16, 18, 20'	7,000	35,000	20,000
24"	8, 9, 10, 12, 14, 16, 18, 24, 26, 28, 30'	9,000	45,000	20,000
Square - Plain				
6"	6, 8, 9, 10'	5,100	25,500	8,000
8"	6, 8, 9, 10, 12'	5,150	25,750	10,000
10"	51", 6, 8, 9, 10, 12, 14, 16'	5,640	28,200	14,000
12"	8, 9, 10, 12, 14, 16, 18'	5,900	29,500	18,000
14"	8, 10, 12, 14'	8,500	42,500	20,000
16"	8, 10, 12, 14, 16, 18, 20'	9,500	47,500	20,000
Square - Fluted				
8"	8, 9, 10'	5,150	25,750	10,000
10"	10'	5,640	28,200	14,000
Square - Recessed Panel				
8"	8, 9, 10'	5,150	25,750	10,000
10"	8, 9, 10'	5,640	28,200	14,000
12"	8, 9, 10, 12, 14'	5,900	29,500	18,000
14"	8, 10, 14'	8,500	42,500	20,000
Craftsman†				
10" x 5.5"	66"	9,000	45,000	10,000
10.25" x 7.5"	7"	7,000	35,000	10,000
10" x 8"	66"	9,000	45,000	10,000
12" x 8"	5, 6'	8,000	40,000	14,000
12" x 10"	6, 10'	8,000	40,000	14,000
14" x 12"	9'	8,000	40,000	14,000
16" x 9"	6, 8'	9,000	45,000	14,000
16" x 12"	6, 8'	9,000	45,000	14,000
RoughSawn® - Square				
8"	8, 9, 10'	5,150	25,750	10,000
10"	8, 9, 10, 12'	5,640	28,200	14,000
12"	8, 9, 10, 12'	5,900	29,500	18,000
RoughSawn® - Craftsman†				
10" x 6"	66"	9,000	45,000	10,000
12" x 8"	66"	8,000	40,000	14,000

*Round fluted column sizes listed in **bold red** are available with stock molded fluting as part of manufacturing process. All other column sizes are available with custom fluting milled after the column is manufactured.

†Craftsman and RoughSawn® Craftsman column width is specified by bottom width x top width.

HB&G PVC Columns



PermaWrap® Collection – PVC Column Wraps

HB&G PVC column wraps are made from cellular PVC, which offers the advantages of being unaffected by moisture and insects but has the thickness, ease of use, and workability of wood. PermaWrap® column comes with a 25-year Limited Warranty.



Square



Plain* **Raised Panel†** **Recessed Panel†** **Fluted‡**

Craftsman



Plain **Raised Panel** **Recessed Panel**

Easy to Install – PVC column wraps have mitered joints, and come complete with cap and base trim, nail strip, squaring blocks, and adhesive caulk.

Pedestal



Raised Panel **Recessed Panel**

*Available in L-shaped halves or fully assembled with 4x4 treated wood post.

†Available in single panel, double panel with rail breaks, and triple panel. The double panel with rail breaks are set to fit 36" or 42" rails heights.

‡Available in single and double fluted.

Column Dimensions

Width*	Available Lengths
Square	
6"	6', 8', 9', 10', 12'
8"	6', 8', 9', 10', 12'
10"	6', 8', 9', 10', 12'
12"	6', 8', 9', 10', 12'
Craftsman†	
10" x 6"	48", 54", 60", 66", 72", 84", 96", 108", 120"
12" x 8"	48", 54", 60", 66", 72", 84", 96", 108", 120"
16" x 10"	48", 54", 60", 66", 72", 84", 96", 108", 120"
20" x 15"	48", 54", 60", 66", 72", 84", 96", 108", 120"
24" x 16"	48", 54", 60", 66", 72", 84", 96", 108", 120"
Pedestal	
12"	40", 46"
16"	40", 46"
20"	40", 46"
24"	40", 46"

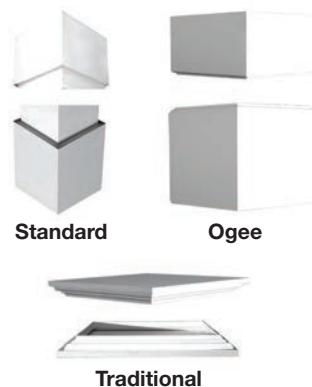
†Craftsman column width is specified by bottom width x top width.

*Not available in recessed panel.

Note: Additional sizes available. Please call for details.

Cap & Base Configurations

Standard Caps/Bases

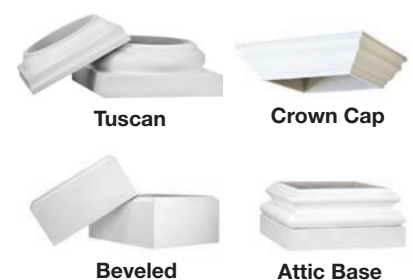


Standard

Ogee

Traditional

Optional Caps/Bases



Tuscan

Crown Cap

Beveled

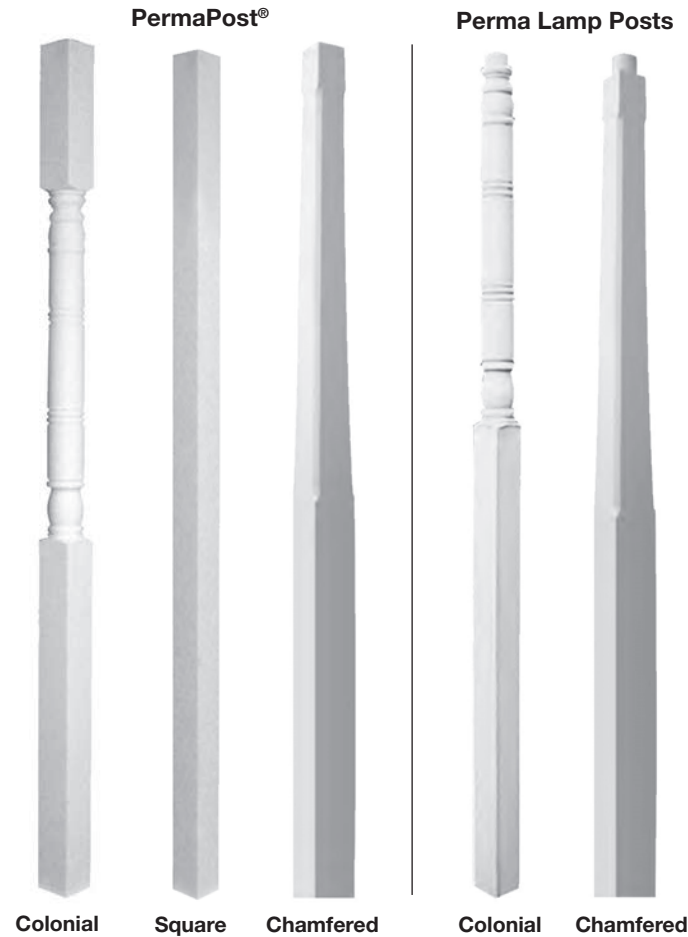
Attic Base

The Standard or Ogee cap/base comes standard on all square columns. The Traditional cap/base comes standard on Craftsman columns and Pedestals. The Tuscan, Beveled, Crown, and Attic caps/bases are optional. Caps and bases can be used as a set or ordered separately.

HB&G Synthetic Posts

PermaPost® Collection – Load Bearing Exterior Posts

HB&G PermaPost® products are low maintenance and load bearing and offer an insect and weatherproof alternative to a traditional wood porch posts. All posts are composed of a synthetic outer shell that surrounds a galvanized steel pipe and polyurethane foam filler. All PermaPost® styles come with a 25-year Limited Warranty.



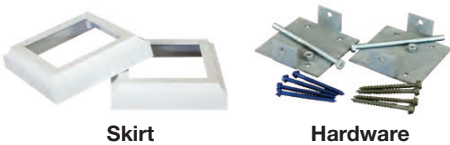
Colonial & Chamfered Posts –
The outer shell is constructed with polyethylene material and prefinished white. It is not meant to be painted.

Square Posts –
The outer shell is constructed with low maintenance PVC and is prefinished in a white capstock.

Perma Lamp Posts –
Perma Lamp Posts are an attractive way to light a drive or garden area. The pipe in the center is designed to allow a wire to be easily installed. The 2-7/8" pipe fits most outdoor lamp fixtures.

PermaPost® Dimensions*						
Post Size	Width	Top Height	Turned Area	Base Height	Total Length	Load Capacity
Colonial Posts						
5" x 5"	4"	16-1/4"	38-1/2"	41-1/2"	8'	1300
5" x 5"	4"	24-1/2"	38-1/2"	45-1/4"	9'	1300
6" x 6"	5"	16-1/4"	38-1/2"	41-1/2"	8'	5000
6" x 6"	5"	24-1/2"	38-1/2"	45-1/4"	9'	5000
Square Posts						
5" x 5"	4-1/4"	–	–	–	8'	5000
5" x 5"	4-1/4"	–	–	–	9'	5000
5" x 5"	4-1/4"	–	–	–	10'	5000
Chamfered Post						
6" x 6"	3-1/2" & 5-1/2"	4-1/2"	–	46-1/4"	8'	5000
Colonial Lamp Post						
6" x 6"	3-1/2" & 5-1/2"	–	38"	–	7' 6-1/2"	–
Chamfered Lamp Post						
6" x 6"	3-1/2" & 5-1/2"	4-1/2"	–	46-1/4"	8'	–

*There may be a variance of up to 1/4" in all dimensions. All sizes are nominal. Note: Load bearing capacity is dependent on the concentric loading of the post.



- Porch-Loc® Installation Kit**
Available for all sizes of Colonial and Square PermaPost® styles
- Secures structural post to floor and beam/header
 - Adds wind uplift resistance
 - Easy Installation
 - Skirts and hardware included

HB&G Fiberglass Pergolas



HB&G manufactures fiberglass pergola kits using pultrusion technology to produce the strongest yet lightest structures available with a Limited Lifetime Warranty. Our structural fiberglass components are strong, lightweight, and provide a higher level of aesthetic quality than vinyl or wood pergolas.

Features

- Wind load rated
- Low maintenance
- Easy installation
- Pre-finished with ChromaGuard® engineered coating
- Arbor-Loc® tie-down system
- Hollow rafters can act as conduit for wiring
- Will not rot, check or twist
- Stability



Serenity® Series – Stock Pergola Kits

Serenity Series pergola kits include:

- White ChromaGuard® engineered coating
- Arbor-Loc® tie-down system
- Napa rafter tail
- Choice of PermaLite® round no-taper columns or square columns
- Single support rafter with header



PermaLite® No-Taper Round Columns



PermaLite® Square Columns

Note: Standard 8" or 10" round or square wind load/deck plates offering up to 160 mph uplift resistance can be purchased separately. Deck screws not included.

Dimensions & Column Sizes

Overhead Size	Column Center Size	Column Size
PermaLite® No-Taper Round Column Kits		
FS 12' x 12'	8' x 8'	8" x 8'
FS 14' x 14'	10' x 10'	10" x 8'
FS 16' x 16'	12' x 12'	10" x 8'
PermaLite® Square Column Kits		
FS 12' x 12'	8' x 8'	8" x 8'
FS 14' x 14'	10' x 10'	10" x 8'
FS 16' x 16'	12' x 12'	10" x 8'
ATT 12' x 10'	8' x 8'	10" x 8'
ATT 14' x 10'	10' x 8'	10" x 8'

FS=Free Standing / ATT=Attached

Tranquility® Series – Predesigned Pergola Kits

Tranquility Series pergola kits include:

- White ChromaGuard® engineered coating
- Arbor-Loc® tie-down system
- Napa rafter tail
- Choice of 10" x 8' PermaCast® round tapered columns or 10" x 8' PermaLite® square columns
- Double support rafter with no header



PermaCast® Round Tapered Columns



PermaLite® Square Columns

Note: Standard 8" or 10" round or square wind load/deck plates offering up to 160 mph uplift resistance can be purchased separately. Deck screws not included.

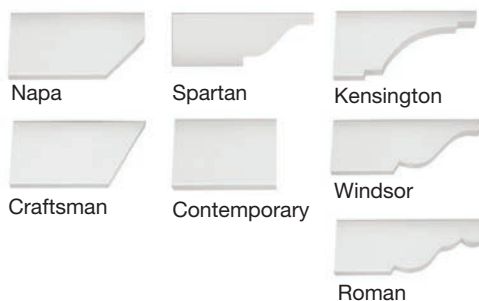
Overhead Dimensions

Freestanding Pergolas			
12' x 12'	14' x 18'	18' x 12'	20' x 18'
12' x 14'	14' x 20'	18' x 14'	20' x 20'
12' x 16'	14' x 22'	18' x 16'	20' x 22'
12' x 18'	16' x 12'	18' x 18'	22' x 12'
12' x 22'	16' x 14'	18' x 22'	22' x 14'
14' x 12'	16' x 16'	20' x 12'	22' x 16'
14' x 14'	16' x 18'	20' x 14'	22' x 18'
14' x 16'	16' x 22'	20' x 16'	22' x 22'
Attached Pergola			
12' x 10'	14' x 14'	18' x 10'	20' x 16'
12' x 12'	14' x 16'	18' x 12'	20' x 18'
12' x 14'	14' x 20'	18' x 14'	20' x 20'
12' x 16'	16' x 10'	18' x 16'	22' x 10'
12' x 18'	16' x 12'	18' x 20'	22' x 12'
12' x 20'	16' x 14'	20' x 10'	22' x 14'
14' x 10'	16' x 16'	20' x 12'	22' x 16'
14' x 12'	16' x 20'	20' x 14'	22' x 20'

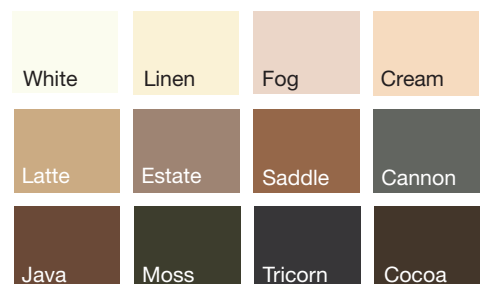
Semi-Custom Options

Make Serenity® or Tranquility® pergolas your own by selecting from these semi-custom options.

Rafter Tails



Colors



PlyGem Shutters

PlyGem offers high-quality shutters built to look as good as your home - whether it's brick, stone, vinyl siding, stucco or wood. PlyGem achieves tremendous quality through their use of advanced UV stabilizers and a tough acrylic coating - backed by an industry leading Limited Lifetime Warranty. They offer several panel varieties as well as a wide variety of standard sizes and a custom length program. Wrap your home in the beauty and elegance of the Mastic shutter collection.



Standard Shutter Styles



Colors



Specialty Shutter Styles



- Raised Panel & Louvered Cottage Style Shutters are available in standard widths and 67" length only.
- Board & Batten Arched Top Shutters are available in 14" width and the following lengths: 41", 43", 57", 61", 65", 71", 73", 77", 85".
- Transoms are available in 15" widths only.

Accessories



Decorative hinges and hooks are available to complete the look of working shutters.

Standard Shutter Sizes

Style	Width	Length Options														
		25"	27"	31"	35"	39"	43"	47"	51"	55"	59"	63"	67"	71"	75"	81"
Raised Panel	12"		x	x	x	x	x	x	x	x	x	x	x	x		
	15"			x	x	x	x	x	x	x	x	x	x	x	x	x
Louvered	12"										x	x				
	15"	x		x	x	x	x	x	x	x	x	x	x	x	x	x
Board & Batten	3 Board Closed	11"		x	x	x	x	x	x	x	x	x	x	x	x	x
	3 Board Open	12"		x	x	x	x	x	x	x	x	x	x	x	x	x
	4 Board Closed	15"		x	x	x	x	x	x	x	x	x	x	x	x	x
	4 Board Open	16"		x	x	x	x	x	x	x	x	x	x	x	x	x

Custom Sizes

Custom Widths – Louvered shutters are available in 9", 12" and 15" widths. Raised Panel shutters are available in 12" and 15" widths.

Custom Lengths – Both Louvered and Raised Panel shutters are available in any length from 18" - 96" (in 1" increments).

Safe-Way Garage Doors



Safe-Way doors offer the style, energy savings and choices for today's homeowner or commercial business. Our garage doors feature commercial-grade hardware and superb craftsmanship to ensure long-lasting durability and outstanding beauty.

Choice Series – Residential

Available in insulated and non-insulated models, Choice Series quality residential garage doors feature classic style with attractive traditional short or long ranch panels and a variety of window choices. Steel construction ensures long-lasting strength and durability that adds value to your home for years to come.

Model Options

2" Thick | 25 Gauge | Non-Insulated

Model 56 – Short Raised Panel

Model 58 – Long Ranch Raised Panel

2" Thick | 25 Gauge | Insulated*

Model 57 – Short Raised Panel

Model 59 – Long Ranch Raised Panel

**R6 polystyrene with vinyl backer*

Panel Options



56/57 – Short Raised Panel



57/59 – Long Ranch Raised Panel

Colors



White

Almond

Bronze



Dessert Tan

Sandstone

Grey



Brown

Oak

Rosewood

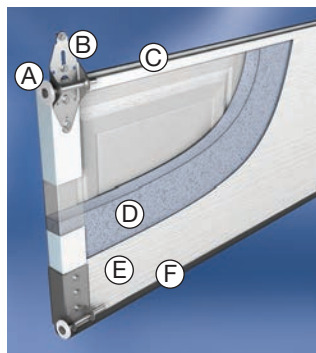


Model 56/57



Model 58/59

Construction



- A** - Nylon roller provides quiet operation and long lasting durability
- B** - Heavy-duty galvanized 18 gauge hardware
- C** - Tongue and groove design provides weather-tight section joints
- D** - Vinyl-backed 1-3/8" expanded polystyrene insulation with an R-Value of 6.0
- E** - 25 gauge steel
- F** - Plastic bottom retainer with vinyl weatherstrip

Window Options

Refer to page 25 for glass styles. Choice Series Models 56-59 can choose from short and long window styles in the Estate Window Series.

Sizes

Choice Series residential doors are available in 8' to 18' widths and 6'6" to 14' heights.

Safe-Way Garage Doors

Regency Series – Residential

Regency Series residential garage doors combine the beauty of wood-like design with the strength and easy care of steel. Available with a variety of panel styles, the Regency Series features polystyrene insulation surrounded by two steel skins, providing durability and noise reduction. A choice of window styles and durable baked factory finishes lets you select the perfect door for your home.



Model 65



Model 68



Model 70

Model Options

2" Sandwich Door | 27 Gauge | Insulated*

- Model 65** – Short Raised Panel
- Model 66** – Flush Panel
- Model 67** – Long Raised Panel
- Model 68** – Stamped Carriage House
- Model 69** – Medium Raised Panel

2" Wood Look Sandwich Door | 27 Gauge | Insulated*

- Model 70** – Short Raised Panel
- Model 71** – Medium Raised Panel
- Model 72** – Long Raised Panel
- Model 73** – Stamped Carriage House
- Model 74** – Flush Panel

*R10.25 polystyrene with steel backer

Colors

Models 65-69



Models 70-74



Window Options

Refer to page 25 for glass styles. Regency Series Models 65-74 can choose from short, medium and long window styles in the Estate Window Series and the Gentry Window Series.

Panel Options



65/70 – Short Raised Panel



68/73 – Stamped Carriage House



69/71 – Medium Raised Panel



66/74 – Flush Panel

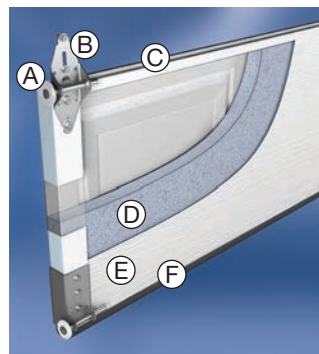


67/72 – Long Raised Panel

Sizes

Regency Series residential doors are available in 8' to 20' widths and 6'6" to 16' heights.

Construction



- A** - 11 ball nylon rollers provides quiet operation and long lasting durability
- B** - Heavy-duty galvanized 14 gauge hardware
- C** - Tongue and groove design provides weather-tight section joints
- D** - Expanded polystyrene insulation provides an R-Value of 10.25
- E** - Steel skins inside and out provide maximum durability
- F** - Aluminum bottom retainer with vinyl weatherstrip

Optional Decorative Hardware



Steel Strap Hinge



Hammered Iron Hinge



Steel Heritage Hinge



Steel Handle



Hammered Iron Handle



Carriage Handle



Carriage Knocker Kit



Hammered Iron Stud



Iron Stud with Screw

Safe-Way Garage Doors



Deluxe Series – Residential

The Deluxe Series gives you beauty on a budget. Included in this popular garage door line are panel options that features the “carriage house” look along with the durability and maintenance free benefits of steel for an outstanding value. Insulated and non-insulated models are available with multiple window and decorative hardware options to enhance the appearance of your home.

Model Options

2” Thick | 24 Gauge | Non-Insulated

Model 40 – Stamped Carriage House

2” Thick | 24 Gauge | Insulated*

Model 41 – Stamped Carriage House

**R6 polystyrene with vinyl backer*

Panel Options



40/41 – Stamped Carriage House

Colors

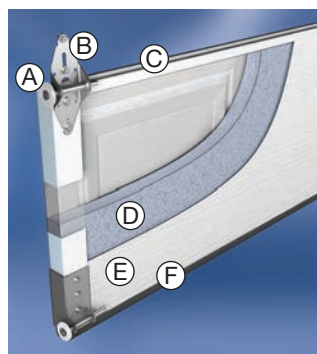


Model 40/41



Model 40/41

Construction



- A** - 11 ball nylon rollers provides quiet operation and long lasting durability
- B** - Heavy-duty galvanized 14 gauge hardware
- C** - Tongue and groove design provides weather-tight section joints
- D** - Vinyl-backed 1-3/8” expanded polystyrene insulation provides an R-value of 6.0
- E** - 24 gauge steel
- F** - Aluminum bottom retainer with vinyl weatherstrip

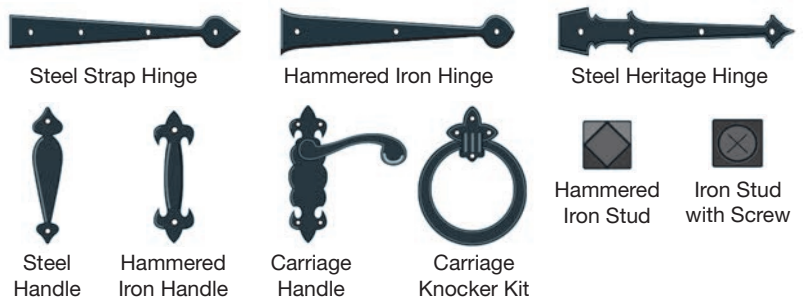
Sizes

Deluxe Series residential doors are available in 8’ to 18’ widths and 6’6” to 14’ heights.

Window Options

Refer to page 25 for glass styles. Deluxe Series Models 40-41 can choose from short and long window styles in the Estate Window Series.

Optional Decorative Hardware



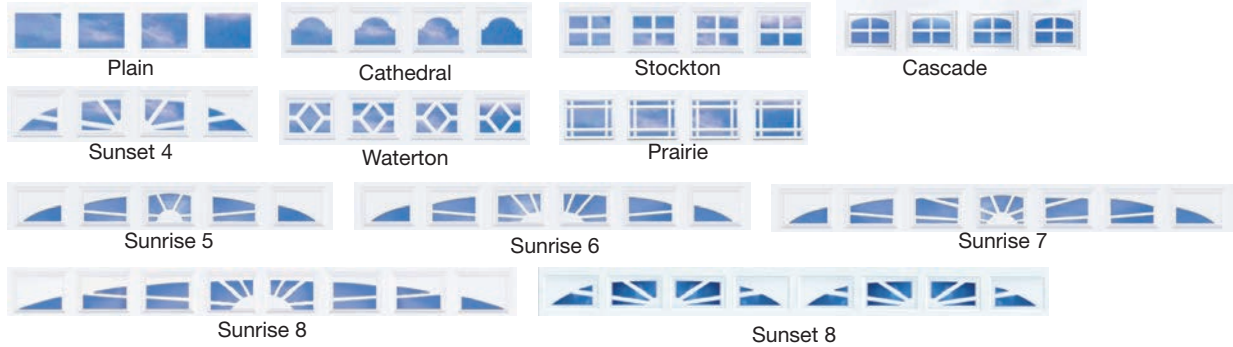
Safe-Way Garage Doors

Residential Garage Doors - Glass Styles

For Choice, Regency & Deluxe Series Doors

Estate Window Series

Standard Short Raised Panel



Medium Raised Panel

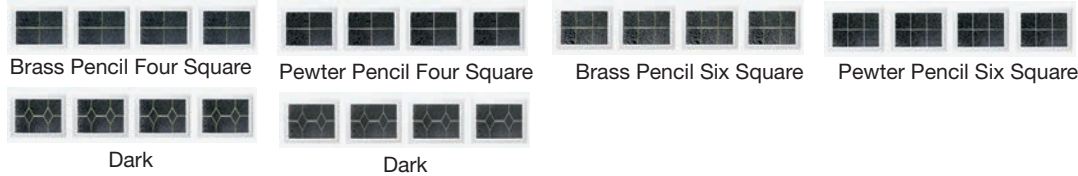


Long Ranch Raised Panel

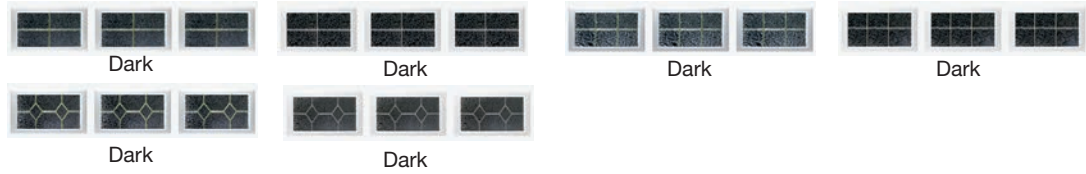


Gentry Window Series*

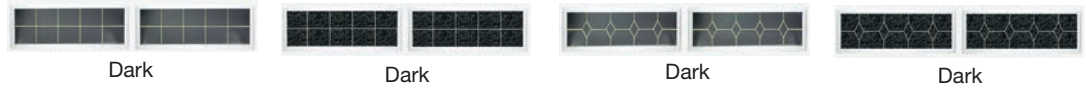
Standard Short Raised Panel



Medium Raised Panel



Long Ranch Raised Panel



*Safe-Way recommends viewing samples of Gentry style windows prior to ordering. Gentry depictions in this literature are actual photography, however, lighting inside or outside the garage can significantly impact the look of these windows.

Safe-Way Garage Doors



Aristocrat Series – Residential

Steel Carriage Garage Doors

The Aristocrat Series adds prestige to any home. Combining the power of steel and the elegance of a carriage-style door, they deliver strength, durability and outstanding performance.

Model Options

Presidential Models – Noted by the letter “P”

- 3 layer steel construction
- Polystyrene core with R-value of 10.25

Monarch Models – Noted by the letter “M”

- 3 layer steel construction
- Polyurethane core with R-value of 17.68
- Thermal section break
- Maximum sound deadening & insulation

Colors

Base Door Colors



Overlay Color



Note: The Presidential Series base and overlays can be painted. Safe-Way specifies Sherwin-Williams® VinylSafe™ paint colors only (available in Duration Exterior Coating or SuperPaint Exterior Paint). Failure to use this paint will void the product warranty.

Sizes

Presidential Series doors are available up to 10' in height. Custom sizes also available.

Upgrade Option



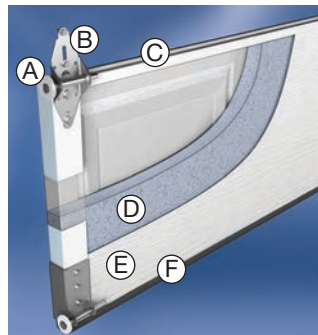
Presidential Premium

- Vertical tongue and groove vinyl boards are applied over the entire steel surface with trim boards on top
- Available in white only



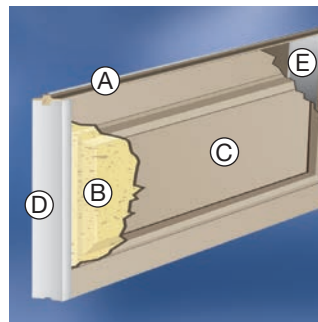
Construction

Presidential Door Construction



- A** - 11 ball nylon rollers provides quiet operation and long lasting durability
- B** - Heavy-duty galvanized 14 gauge hardware
- C** - Tongue and groove design provides weather-tight section joints
- D** - Expanded polystyrene insulation provides an R-value of 10.25
- E** - Steel skins inside and out provide maximum durability
- F** - Aluminum bottom retainer with vinyl weatherstrip

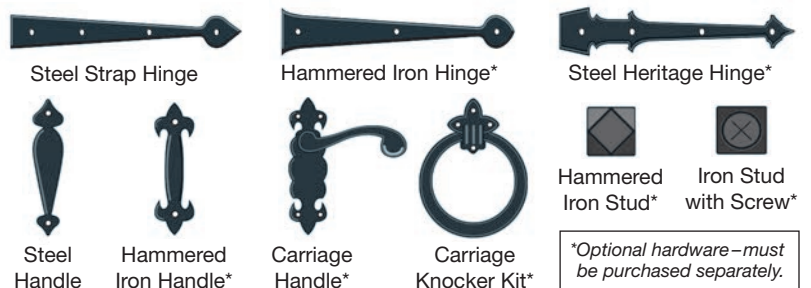
Monarch Door Construction*



- A** - Tongue and groove enclosed with bulb type polypropylene thermal break anchored within the polyurethane core
- B** - Polyurethane injected insulation provides an R-value of 17.68
- C** - Steel skins inside and out provide maximum durability
- D** - 20 gauge pre-painted heavy steel end stiles for added strength
- E** - Interior 20 gauge backer plate full height of section at all hinge points

*Other features included: 11 ball nylon rollers, heavy duty galvanized 14 gauge hardware, and aluminum bottom retainer with vinyl weatherstrip.

Decorative Hardware



Window Options



Safe-Way Garage Doors



Door & Window Selections Aristocrat Series

Door Size Style
Configurations



Door Widths:
8', 9' & 10'



Door Widths:
12' & 14'



Door Widths:
16'-20'

Washington
P1 Series



P1AS/M1AS



P1AW1/M1AW1



P1AW2/M1AW2



P1AW3/M1AW3



P1AW4/M1AW4



P1AW5/M1AW5



P1BS*



P1CS*

Jackson
P2 Series



P2AS/M2AS



P2AW1/M2AW1



P2AW2/M2AW2



P2AW3/M2AW3



P2AW4/M2AW4



P2AW5/M2AW5



P2BS/M2BS



P2BW1/M2BW1



P2BW2/M2BW2



P2BW3/M2BW3



P2BW4/M2BW4



P2BW5/M2BW5



P2CS/M2CS



P2CW1/M2CW1



P2CW2/M2CW2



P2CW3/M2CW3



P2CW4/M2CW4



P2CW5/M2CW5



Door styles are shown in 8', 9' and 10' widths. To see door styles in 12', 14' and 16'-20' widths, please call for details.

*No Window Options Available. There are also no window options available in 14' wide doors.

Adams
P3 Series



P3AS/M3AS



P3AW1/M3AW1



P3AW2/M3AW2



P3AW3/M3AW3



P3AW4/M3AW4



P3AW5/M3AW5



P3BS*



P3CS*

Jefferson
P4 Series



P4AS/M4AS



P4AW1/M4AW1



P4AW2/M4AW2



P4AW3/M4AW3



P4AW4/M4AW4



P4AW5/M4AW5



P4BS*



P4CS*

Lincoln
P5 Series



P5AS/M5AS



P5AW1/M5AW1



P5AW2/M5AW2



P5AW3/M5AW3



P5AW4/M5AW4



P5AW5/M5AW5



P5DS*



P5BS/M5BS



P5BW1/M5BW1



P5BW2/M5BW2



P5BW3/M5BW3



P5BW4/M5BW4



P5BW5/M5BW5



P5ES*



P5CS/M5CS



P5CW1/M5CW1



P5CW2/M5CW2



P5CW3/M5CW3



P5CW4/M5CW4



P5CW5/M5CW5



P5FS*

Safe-Way Garage Doors



Ventana Series – Residential & Commercial

Aluminum Full View Contemporary Garage Doors

When contemporary looks count, choose the Ventana Collection. Multiple window and color options give you artistic freedom to design a signature look and feel to any project. Make a statement with contemporary elegance for any residential application with clean sleek lines. Create a bold look with secure features for multiple commercial and industrial building applications.



Models				
Model	Width	Height	Glass Options	Aluminum Panel Options
450 Medium Frame	14'2" Max	14'0" Max	DSB Single, Tempered Single*	Single Thickness Pebble Grain
500 Heavy Frame	24'2" Max	16'0" Max	DSB Single, Tempered Single*	Single Thickness Pebble Grain
551 Heavy Frame	24'2" Max	16'0" Max	Insulated, Tempered Insulated*	Insulated Peddle Grain

Construction

- 2" thick, tongue and groove section joints allow for use with most Safe-Way door models.
- Stiles and rails firmly attach by internal through-bolting with Low-Visibility re-enforcing struts when required.
- Snap-in glazing strips secure either DSB glass, Plexiglass, Tempered, Insulated Tempered, Aluminum panels, or Insulated Aluminum panels.*



Model 550/551

Colors

Doors are available as Aluminum Anodized or any custom color in a powder coated finish. Please call for details. Powder coated finishes can be color-matched to most Safe-Way door models.



Aluminum Anodized



Glass Options



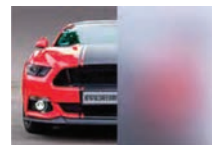
Clear



Bronze



Smoked



Frosted



Reeded



Thin Reeded



Water Glass



Aquatex



Single Glue Chip



Rain Water



Obscure



Industrex



Mirrorview

Safe-Way Garage Doors

Commercial Doors

Make a sensible investment in your business with Safe-Way Commercial Overhead Doors. These hard working doors are built with heavy-duty hardware and durable materials to provide years of maximum security, strength, and low-maintenance operation. They also come with a variety of track options and window configurations to fit your business.



Model 240/243



Model 240/243

Model Options

2" Thick | 24 Gauge | Non-Insulated

Model 240 – Ribbed Steel

2" Thick | 24 Gauge | Insulated*

Model 243 – Ribbed Steel

**R6 polystyrene with steel backer*

Colors



White



Brown

Window Options

Windows are available insulated or non-insulated in rectangular shapes of 12" x 24" or 6" x 24". A Full Vision option in double strength glass or plexiglass is also available. Please call for more information.



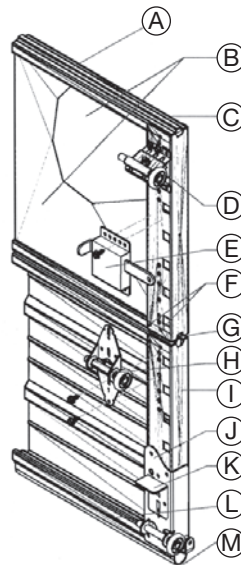
12" x 24" Window*



6" x 24" Window*

**Available insulated in a white frame or non-insulated in a black frame.*

Features



- A** - 2" thick sections
- B** - Steel-backed 1-3/8" thick expanded polystyrene insulation provides R-value of 6.0
- C** - 24 gauge smooth, deep-ribbed steel skin, galvanized and painted
- D** - 10 ball steel rollers
- E** - Inside side lock
- F** - End stiles attached using Tog-L-Lock® joining system for superior holding power
- G** - Tongue and groove joint
- H** - Heavy-duty 14 gauge hinges
- I** - 18 gauge galvanized steel stiles
- J** - Heavy gauge bottom fixture
- K** - Commercial step plate
- L** - Aluminum astragal holder
- M** - Vinyl bottom astragal

Sizes

Model 240/243 commercial doors are available in 8' to 24'2" widths and 8' to 18' heights.

Track Options

Track is available in 2" or 3". Vertical Lift, High Lift, Follow the Roof Slope, and Low Headroom options are available. Please call for details.

Spring Options

Doors are balanced by a torsion spring counterbalance system constructed of oil tempered torsion springs. High cycle spring options of 25,000, 50,000 or 100,000 are available. Please call for details.

Safe-Way Garage Doors



Garage Door Openers

Liftmaster® openers offer rugged reliability and exceptional all-around performance. Manufactured with the highest level of safety and monitoring systems, rest easy knowing that your operator will safely operate.

Residential Openers								
Series	Model	Drive System	Power	Voltage/Phase	Lighting System	Wi-Fi	Warranty	Included Accessories
Elite	8550W	Belt Drive	DC	115V 60Hz	2 lights (100 watts max/light)	Yes	Lifetime on motor & belt	3-Button Remote, Smart Control Panel, Integrated Battery Backup
	8557W	Belt Drive	3/4 HP	115V 60Hz	2 lights (100 watts max/light)	Yes	Lifetime on motor & belt	3-Button Remote, Smart Control Panel
	8587W	Chain Drive	3/4 HP	115V 60Hz	2 lights (100 watts max)	Yes	Lifetime on motor	3-Button Remote, Smart Control Panel
	8500 (wall mount)	Jackshaft	DC	115V 60Hz	1 light w remote		Lifetime on motor	3-Button Elite Remote, MyQ Control Panel, Remote Light
	LJ8900W	Jackshaft	DC	120V 60Hz	Optional myQ Remote LED Light	Yes	2 years on motor	Safety Sensor Kit, Cable Tension Monitor Kit
Premium	8365-267 (in stock)	Chain Drive	1/2 HP	115V 60Hz	2 lights (100 watts max/light)		Lifetime on motor	(2) 3-Button Remotes, Multi-Function Control Panel, Wireless Keyless Entry
	8355	Belt Drive	1/2 HP	120V 60Hz	2 lights (100 watts max/light)		Lifetime on motor & belt	3-Button Remote, Multi-Function Control Panel
	8360	Chain Drive	DC	120V 60Hz	2 lights (100 watts max/light)		Lifetime on motor	3-Button Remote, Motion Detecting Control Panel

Note: All models available for 7', 8' and 10' door heights.

*A wide array of optional accessories are available. Call for details.



MyQ® Technology – All openers include MyQ® Technology, which enables secure monitoring and control of your garage door opener with a smartphone, tablet or laptop. Models 8550W, 8557W and 8587W come with Wi-Fi connectivity. All other models require the purchase of an Internet Gateway. Call for details.

Commercial Openers					
Model	Description	Drive System	Power	Warranty	Application
MJ	Medium-Duty	Jackshaft	1/2 HP	2 Year	For high or vertical lift sectional doors or small rolling doors and grilles
J	Industrial-Duty	Jackshaft	1/2 HP	2 Year	For high or vertical lift sectional doors, rolling doors and grilles
MH	Medium-Duty	Hoist	1/2 HP	2 Year	For high or vertical lift sectional doors or small rolling doors and grilles
MT	Medium-Duty	Trolley	1/2 HP	2 Year	For standard lift sectional doors
T	Industrial-Duty, Low-Profile	Trolley	1/2 HP	2 Year	For standard lift sectional doors

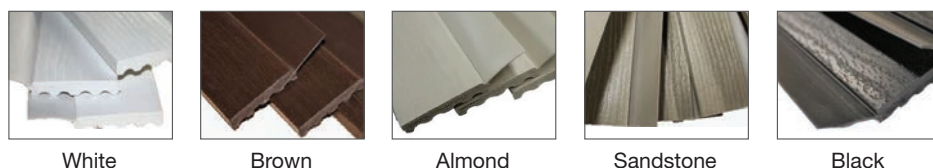
Note: All models available for 10', 12', 14' and 16' door heights.

Note: All models are UL325-2010 Compliant.



Weatherstrip

Garage door weatherstrip is available in 16' lengths in the following colors.



Masonite Exterior Doors



Delivering Complete Door Solutions

Masonite and Francis-Schulze are committed to delivering unsurpassed performance in exterior doors and glass products. We want to provide not just a door, but a total experience, giving you a complete line of products, services and support tools designed around your success.

With leading-edge product innovation and manufacturing excellence, Masonite is the premier name in entry doors, offering the most extensive portfolio of door designs and styles available. Francis-Schulze enhances those entry doors with top quality components and materials, creating a pre-hung door system that provides the exceptional performance our customers have come to expect. Each door is meticulously completed by skilled craftsmen using a combination of state-of-the-art equipment and handcrafted details.



For more information, visit www.FrancisSchulze.com or call 1-800-762-1229.

Distribution

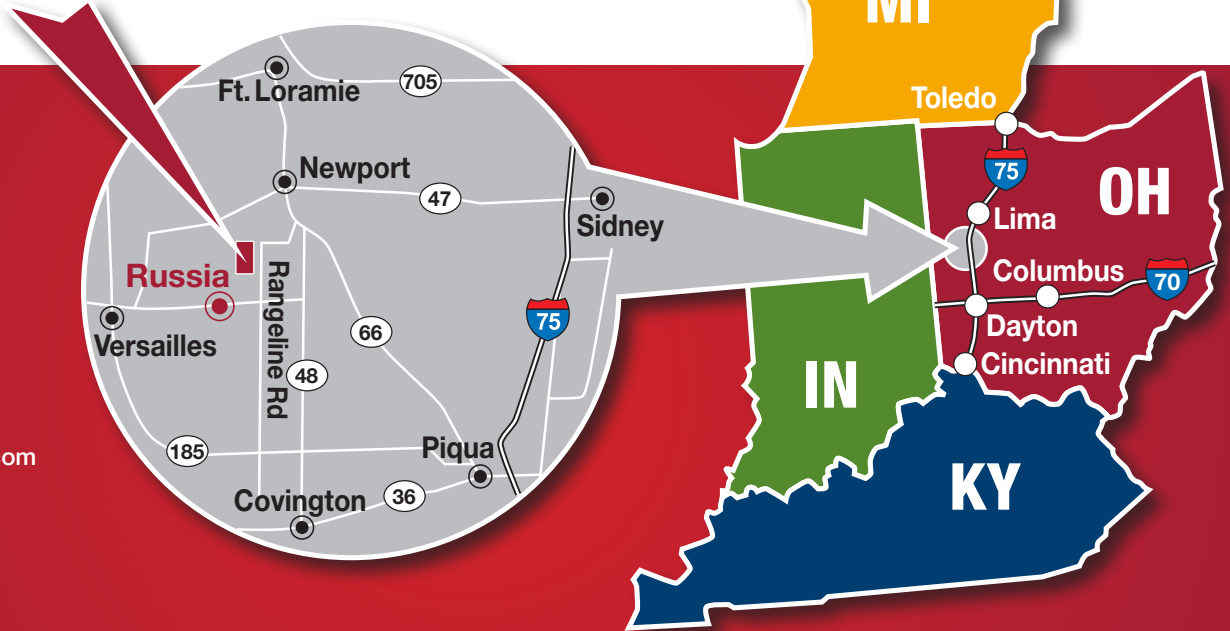
Francis-Schulze Company has a distribution network that covers four Midwestern states with a distribution center located in Russia, Ohio. We guarantee short lead times and weekly delivery to the entire service area on company owned and operated trucks. Shorter lead times allow our customers to rely on Francis-Schulze Company for the best wholesale service available. Our operation includes a state-of-the-art manufacturing facility, skilled craftsmen and a knowledgeable sales staff and customer service representatives – all important components in bringing value to the products we distribute.



Francis-Schulze Company has its own fleet of delivery vehicles allowing for shorter lead times and weekly deliveries.



3880 Rangeline Road
 Russia, Ohio 45363
 (937) 295-3941
 (800) 762-1229
 (937) 295-3706 fax
www.FrancisSchulze.com



MANUFACTURING



OFFICE



WAREHOUSE



800.762.1229 • www.FrancisSchulze.com