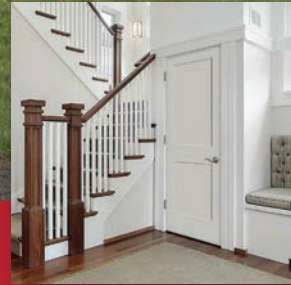


FRANCIS-SCHULZE

COMPANY

distributor of wholesale building materials



Product Guide
4th Edition

Opening the door to **more possibilities**



Francis-Schulze Company is the largest full line stocking distributor of Masonite exterior doors & Trimlite interior doors in a multi-state service area that includes Ohio, Indiana, Michigan and Kentucky.

Founded in 1957 by D.J. Francis, Francis-Schulze Company is a distributor of wholesale building materials to lumber dealers, home centers and door specialists. Located in Russia, Ohio, we serve a multi-state area including Ohio, Indiana, Michigan and Kentucky.

Our steadfast commitment to quality products, manufacturing excellence and superior customer service has made Francis-Schulze Company an industry leader and dealer of choice for over 50 years.

Customer Service

Devoted to customer service, Francis-Schulze Company is committed to providing customers with innovative, durable and quality products, timely deliveries, competitive pricing and outstanding workmanship.

We are committed to your success by not only offering you **more** designs, **more** options and **more** sales and marketing support, but by providing you with **more** value... and that means **more** money in your pocket!

We are driven every day by our dedication to achieve standards that set the expectations for the marketplace and that are important to you and your customers.

Sales Support

We provide our dealer network with dedicated, well-trained sales and service professionals. Our experienced staff manages customer accounts with professional customer service combined with strong product knowledge and competitive pricing. Our sales representatives can address specific requirements, quotes, technical questions and all other special requests. As always, we conduct business with the integrity you have come to know and respect and stand ready to meet our customer's every need.

VALUE – We offer you more of the best for less by providing better products, more options, exceptional customized service – all at a competitive price.

QUALITY – We deliver a wide range of durable, long-lasting products that fulfill many building requirements.

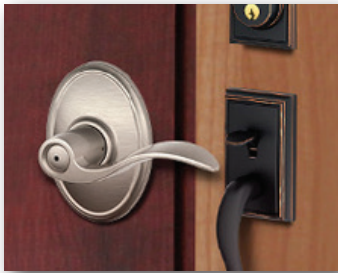
SUPPORT – We provide you with the customer support, warranties and sales and marketing materials you need.

INNOVATION – We are at the forefront of new and innovative ideas that have high customer appeal, so you can confidently satisfy your most demanding clients.



Product Lines

Francis-Schulze Company is the wholesale distributor of choice for the highest quality products in the building industry.



Index

This product guide contains a selection of the product lines we carry. For additional information on all products, call Francis-Schulze at **800.762.1229**.

- 4** Hardware & Locksets
- 8** Storm Doors
- 10** Fiberglass Columns
- 12** PVC Columns
- 14** Synthetic Posts
- 15** Fiberglass Pergolas
- 16** Aluminum Columns
- 18** PVC Columns & Aluminum Railing
- 19** Shutters
- 20** Garage Doors
- 31** Exterior & Interior Doors
- 32** Distribution

Schlage Locksets



Schlage makes the small details count!

Express yourself with a range of contemporary handles that are world-renowned for their quality. Easy to install, durable and secure, each handle comes with a lifetime warranty that gives peace-of-mind.



Schlage F Series – Levers & Knobs

 Accent	 Avilla	 Broadway	 Champagne	 Davlin	 Delfayo	 Elan	 Flair	
 Jazz	 Latitude	 Manhattan	 Merano	 Northbrook	 Sacramento	Function Codes F10 - Passage F40 - Privacy F51 - Keyed Entrance F59 - Interior Trim of Handleset F170 - Dummy <i>F170 Dummy locksets also available.</i>		
 Andover	 Bell	 Bowery	 Georgian	 Orbit	 Plymouth			 Sienna

Schlage F Series – Exterior Handlesets

Function Codes
 F58 - Exterior Trim of Handleset
 F59 - Interior Trim of Handleset
F58 & F59 make a complete set.

Schlage B Series – Deadbolts

	
Single Cylinder	Double Cylinder

Function Codes
 B60 - Single Cylinder
 B62 - Double Cylinder

Schlage Electronic Locks & Deadbolts

				
Camelot/ Georgian	Camelot/ Accent	Camelot	Plymouth	BE375

Function Codes
 FE595 - Keypad & Knob/Lever
 BE365 - Keypad & Deadbolt
 BE375 - Touch Screen Keypad & Deadbolt

Schlage Locksets

Finishes



605
Bright Brass



608
Satin Brass



609
Antique Brass



618
Polished Nickel



619
Satin Nickel



620
Antique Pewter



621
Distressed Nickel



622
Matte Black



625
Bright Chrome



626
Satin Chrome



716
Aged Bronze



Finish Options											
Style	605	608	609	618	619	620	621	622	625	626	716
F Series – Levers & Knobs (F10, F40, F51, F59, F170)											
Accent	x	x	x	x	x	x	x	x	x	x	x
Avilla	x		x		x				x	x	x
Broadway					x			x	x	x	x
Callington					x						x
Champagne					x						x
Davlin		x			x			x	x		x
Delfayo		x			x			x	x		x
Elan	x		x		x			x	x	x	
Flair	x	x	x		x	x			x	x	x
Jazz	x		x		x					x	
Latitude		x		x	x			x	x	x	x
Manhattan					x				x	x	x
Merano					x			x	x	x	x
Northbrook					x						
Sacramento				x	x				x		x
St. Annes			x		x						x
Andover	x		x		x	x			x	x	x
Bell	x		x							x	
Bowery				x	x			x	x	x	x
Georgian	x	x	x		x	x	x	x	x		x
Orbit	x				x				x	x	
Plymouth	x		x		x	x		x	x	x	x
Sienna	x		x		x	x		x	x	x	x
F Series – Exterior Handlesets (F58 & F59 make a complete set)											
Addison			x		x	x	x	x	x		x
Camelot	x	x	x	x	x	x		x	x		x
Century				x	x			x	x	x	x
Plymouth	x		x	x	x	x		x	x	x	x
Wakefield				x	x	x		x	x		x
B Series – Deadbolts (B60, B62)											
Deadbolt	x	x	x	x	x	x	x	x	x	x	x
Electronic Locks & Deadbolts (FE595, BE365, BE375)											
Camelot/Georgian			x		x						x
Camelot/Accent			x		x	x				x	x
Camelot			x		x	x				x	x
Plymouth			x		x	x				x	x
BE375					x			x	x	x	x

Trillenium® Multi-Point Locking Systems



Protect your home. Preserve your style.

Trillenium® delivers 3x the strength, 3x the security and 3x the performance with one multi-point locking system, resulting in maximum peace of mind and homeowners satisfaction. Trillenium's superior strength works when others fail, achieving the industry's highest rating for structural and forced entry testing.



Performance

Corrects misalignment in 3 different directions, even fighting deflection when unlocked for lasting, error-free operation.



Protection

Delivers the strength of 3 full deadbolts for uncompromised protection. No weak hooks or catches. Just tested, proven strength.



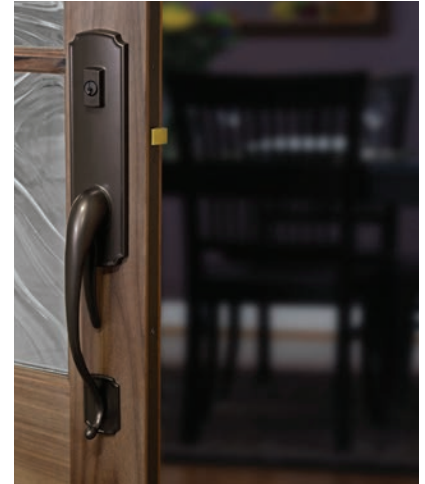
Strength

One-piece I-Beam lock construction is so strong, it even strengthens the door panel.



Easy Operation

Easy to use. It activates with a single turn of the key or thumbturn, and releases with just a single turn of the interior handle.



Trillenium® Hardware



Curved Entry Set



Horizon Entry Set



Pinnacle Entry Set



Rectangular Entry Set



Eclipse Entry Set



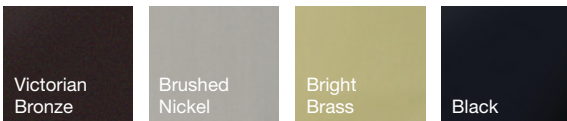
Eclipse Grip Lever with Eclipse Interior

Hardware comes in:

- 6/8 or 8/0 Door Heights
- Entry, Inactive and Dummy Functions



Finishes



Victorian Bronze

Brushed Nickel

Bright Brass

Black

Trillenium® Finish Options

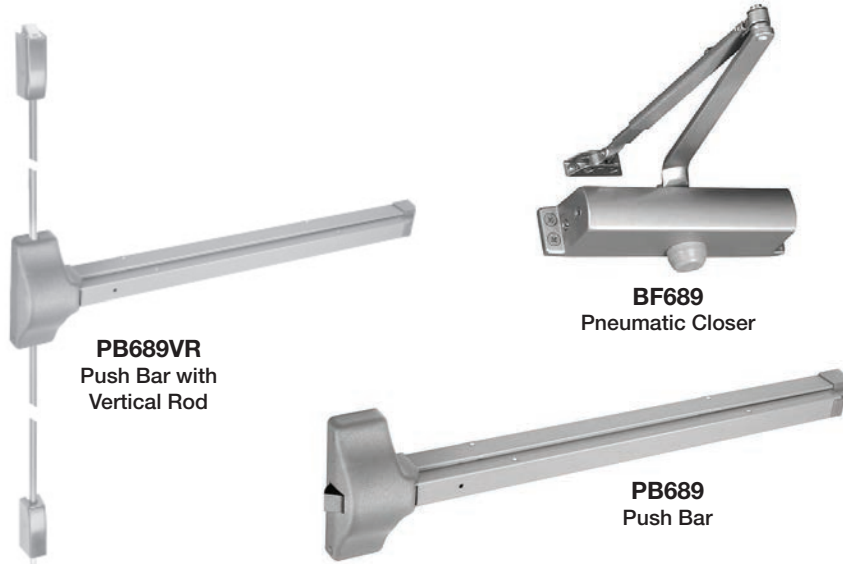
Style	Victorian Bronze	Brushed Nickel	Bright Brass	Black
Curved	x	x		x
Horizon	x	x	x	
Pinnacle	x	x	x	
Rectangular	x	x		x
Eclipse Entry	x	x	x	x
Eclipse Grip	x	x	x	x



Yale Commercial Hardware

Innovative and Reliable!

Yale's commercial solutions offer innovative and reliable products to solve the challenges of commercial, retail, hospitality, assisted living and multi-family properties. Yale's expertise extends beyond products to people – and provides the service and support you expect. The tough, sturdy construction of Yale commercial hardware is ideal for meeting the rigors of demanding industry environments. You can expect long life and reliability at an economical price.



AU441 / AU441DA2
Push Bar Exterior Trim
(Lever / Keyed Lever)



AU4607LN
Keyed Entry Lever



D212
Keyed Deadbolt
Single Cylinder

Yale Commercial Hardware Options

Part #	Description	Grade
PB689	Push Bar	1
PB689VR	Push Bar with Vertical Rod	1
BF689	Pneumatic Closer	1
AU441	Push Bar Exterior Trim - Lever	1
AU441DA2	Push Bar Exterior Trim - Keyed Lever	1
AU4607LN	Keyed Entry Lever	2
D212	Keyed Deadbolt, Single Cylinder	2

All styles are available in your choice of aluminum finish or dark bronze finish. There is an additional fee for the bronze finish.

Push bars can be used without exterior trim or as a combination of the push bar with your choice of active lever or locking lever exterior trim sets.



Gerkin Storm Doors



Why Gerkin?

Decades of Proven Performance

Gerkin Windows and Doors has been building storm doors for over 60 years. We know that quality comes first. All too often, manufacturers try to build a door that fits a particular price point while forgetting about quality and value.

Gerkin offers three storm door categories: Classic, Uniquely Yours and Cabrio. All of our doors are guaranteed for as long as you own your home.



Features



Lifetime Hinges

Our self-lubricating hinges are made from extruded aluminum and have an exclusive lock-in feature.



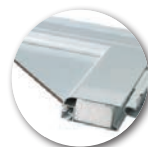
Foam Insulated Frame

Heavy-duty, smooth aluminum with baked-on enamel finish is foam insulated for better energy efficiency.



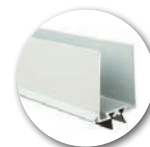
Concealed Installation Screws

All Gerkin doors come with z-bar screw covers. This ensures a clean and finished appearance from the outside.



Aluminum Clad, Polyethylene Core Kick Panels

Our kick panels are built "kid tough" to withstand years of daily use.



Adjustable Sill Expander

Two flexible sweeps and our sloped design expander provide a tight seal at the threshold.



Deep Wool Pile Weatherstripping

This excellent weatherstripping seals out the elements at the head and jambs.

Classic Storm Doors

Featuring our best selling doors, using the most popular combinations of models, colors and hardware, the Classic line gives you everything you would expect from a premium storm door, no matter what your price range or home style might be.



9C1A

- Self-storing ventilation
- High kick panel
- Heavy-duty extruded mainframe
- Colors: white, bronze
- Sizes: 32", 36"



9C2A

- Self-storing ventilation
- Large glass area for light and ventilation
- Low kick panel
- Heavy-duty extruded mainframe
- Colors: white, bronze
- Sizes: 30", 32", 36"



9C4A

- Full-view design
- Heavy-duty screen included
- Heavy-duty extruded mainframe
- Colors: white, bronze
- Sizes: 32", 36"



9C5A

- Full-view design
- Screened lower vent
- Heavy-duty screen included
- Heavy-duty extruded mainframe
- Colors: white, bronze, sandstone
- Sizes: 32", 36"



8C9A

- Full-view design
- Retractable screen
- Built-in balance for an easy-to-operate sash
- 1-3/4" heavy-duty extruded mainframe
- Colors: white
- Sizes: 36"



CLASSIC Hardware
Dakota Painted
 Stylish, ergonomically-friendly handle looks and feels great!

Classic doors come standard with color matched Dakota hardware.

Colors



Gerkin Storm Doors



Uniquely Yours Storm Doors

Doors perfectly designed for your home, your budget and your lifestyle, offering a huge range of custom combinations.



901
Self-storing, high kick panel



902
Self-storing, low kick panel



903
Removable full view with screen, lower vent



904
Removable full view with screen



905
Fixed full view, lower vent



906
Fixed full view, 1/2" insulated Low E glass, lower vent



907
Full view screen only, reinforcing center mullion



912
Self storing, decorative grill and molding, high kick panel



914
Self storing, decorative grill and molding, low kick panel

Cabrio Storm Doors

A new generation of doors highlighted by a retractable screen, which is hidden away in the head of the door when ventilation isn't needed, providing a beautiful, clear view!



801
Self-storing, retractable screen, high kick panel



802
Self-storing, retractable screen, low kick panel



809
Self-storing, full view, retractable screen

Customizable Storm Doors

UNIQUELY YOURS & CABRIO

- Choose the Model
- Choose the Hardware
- Choose the Accessories
- Choose the Color

Hardware



Dakota Painted
Color-Matched



Dakota Plated
With Deadbolt



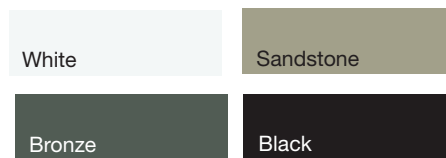
Seville Plated
With Deadbolt

Accessories

- Pewter sill expander
- Head ventilator
- Traditional molding
- Provincial molding
- Prehung doors
- Change 2 light-duty to 2 heavy-duty closers
- Change 1 heavy-duty to 2 heavy-duty closers
- Change 1 heavy-duty to 2 light-duty closers

Note: Dakota hardware includes 1 heavy-duty closer and wind chain. Seville hardware includes 2 light-duty closers. Plated hardware available in brass, pewter and oil rubbed bronze.

Colors



Color & Size Options														
Model	901	902	903	904	905	906	907	911	912	914	949	801	802	809
Colors	Bronze	x	x	x	x	x	x	x	x	x	x	x		
	Sandstone	x	x	x	x	x	x	x	x	x	x	x	x	x
	White	x	x	x	x	x	x	x	x	x	x	x	x	x
	Black			x	x	x	x							x
Sizes	30" x 81"		x											
	32" x 81"	x	x	x	x	x	x	x	x	x	x	x	x	x
	36" x 81"	x	x	x	x	x	x	x	x	x	x	x	x	x
	Custom Size	x	x	x	x	x	x	x	x	x	x	x	x	x

Note: Double door kits and custom widths (24"-42") and heights (68"-98") are available. Call for details.

HB&G Fiberglass Columns



PermaCast® – Fiberglass Column

HB&G's PermaCast® columns are made from a proprietary blend of fiber-reinforced polymers. They are aesthetically pleasing with exceptional load bearing capabilities. These durable, low maintenance columns are rot-proof, weatherproof, insect proof, and come with a Limited Lifetime Warranty.



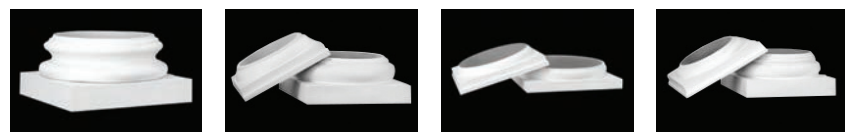
Note: All PermaCast® columns, except RoughSawn® and Square Recessed Panel, can be factory split to wrap an existing post. Split columns are not load bearing. *Products shown have been painted for demonstration purposes. All columns are shipped unfinished and must be primed and painted after installation.

Cap & Base Configurations

Round Caps/Bases



Roman Corinthian Temple of the Winds Roman Ionic Greek Ionic Scamozzi



Attic Tuscan Cap/Base Colonial Cap/Base Doric Cap/Base

Square Caps/Bases



Roman Corinthian Temple of the Winds Roman Ionic Greek Ionic Scamozzi



Crown Attic Tuscan Cap/Base Colonial Cap/Base Beveled Cap/Base

RoughSawn®



4" Trim



6" Trim



3.5" Beveled Trim
(Craftsman only)



24" Brace

HB&G Fiberglass Columns



Column Dimensions & Load Bearing Data				
Width/ Diameter	Lengths Available (ft.)	Eccentric Load (Offset)		Concentric Load (Centered)
		Avg. Allowable Load (lbs.)	Avg. Ultimate Load (lbs.)	Load (lbs.)
Round Tapered - Pain & Fluted*				
6"	4, 6, 8'	4,580	22,900	8,000
8"	5, 6, 8, 9, 10'	4,600	23,000	10,000
10"	6, 8, 9, 10, 12'	4,690	23,450	14,000
12"	6, 8, 9, 10, 12, 14, 16, 18'	4,800	24,000	18,000
14"	8, 9, 10, 12, 14, 16, 18'	7,800	39,000	20,000
16"	8, 10, 12, 14, 16, 18, 20'	8,250	41,250	20,000
18"	8, 10, 12, 14, 16, 18, 20, 22, 24, 26'	10,000	50,000	20,000
20"	10, 12, 14, 16, 18, 20, 22, 24'	10,000	50,000	20,000
22"	16, 18, 20, 22, 24, 26'	10,000	50,000	20,000
24"	12, 14, 16, 18, 20, 22, 24, 26, 28, 30'	10,000	50,000	20,000
28"	20, 22, 24, 26, 28'	10,000	50,000	20,000
30"	20, 22, 24, 26, 28, 30'	10,000	50,000	20,000
Round No-Taper - Plain & Fluted*				
8"	6, 8, 9, 10'	4,590	22,950	10,000
10"	6, 8, 9, 10, 12'	4,670	23,350	14,000
12"	6, 8, 9, 10, 12'	4,750	23,750	18,000
14"	6, 8, 9, 10, 12, 14'	7,000	35,000	20,000
16"	6, 8, 9, 10, 12, 14, 16, 18, 20'	7,000	35,000	20,000
18"	6, 8, 9, 10, 12, 14, 16, 18, 20'	7,000	35,000	20,000
24"	8, 9, 10, 12, 14, 16, 18, 24, 26, 28, 30'	9,000	45,000	20,000
Square - Plain				
6"	6, 8, 9, 10'	5,100	25,500	8,000
8"	6, 8, 9, 10, 12'	5,150	25,750	10,000
10"	51", 6, 8, 9, 10, 12, 14, 16'	5,640	28,200	14,000
12"	8, 9, 10, 12, 14, 16, 18'	5,900	29,500	18,000
14"	8, 10, 12, 14'	8,500	42,500	20,000
16"	8, 10, 12, 14, 16, 18, 20'	9,500	47,500	20,000
Square - Fluted				
8"	8, 9, 10'	5,150	25,750	10,000
10"	10'	5,640	28,200	14,000
Square - Recessed Panel				
8"	8, 9, 10'	5,150	25,750	10,000
10"	8, 9, 10'	5,640	28,200	14,000
12"	8, 9, 10, 12, 14'	5,900	29,500	18,000
14"	8, 10, 14'	8,500	42,500	20,000
Craftsman†				
10" x 5.5"	66"	9,000	45,000	10,000
10.25" x 7.5"	7"	7,000	35,000	10,000
10" x 8"	66"	9,000	45,000	10,000
12" x 8"	5, 6'	8,000	40,000	14,000
12" x 10"	6, 10'	8,000	40,000	14,000
14" x 12"	9'	8,000	40,000	14,000
16" x 9"	6, 8'	9,000	45,000	14,000
16" x 12"	6, 8'	9,000	45,000	14,000
RoughSawn® - Square				
8"	8, 9, 10'	5,150	25,750	10,000
10"	8, 9, 10, 12'	5,640	28,200	14,000
12"	8, 9, 10, 12'	5,900	29,500	18,000
RoughSawn® - Craftsman†				
10" x 6"	66"	9,000	45,000	10,000
12" x 8"	66"	8,000	40,000	14,000

*Round fluted column sizes listed in **bold red** are available with stock molded fluting as part of manufacturing process. All other column sizes are available with custom fluting milled after the column is manufactured.

†Craftsman and RoughSawn® Craftsman column width is specified by bottom width x top width.

HB&G PVC Columns



PermaWrap® – PVC Column Wraps

HB&G PVC column wraps are made from cellular PVC, which offers the advantages of being unaffected by moisture and insects but has the thickness, ease of use, and workability of wood. PermaWrap® column comes with a 25-year Limited Warranty.



Square



Plain* **Raised Panel†** **Recessed Panel‡** **Fluted‡**

Craftsman



Plain **Raised Panel** **Recessed Panel**

Easy to Install – PVC column wraps have mitered joints, and come complete with cap and base trim, nail strip, squaring blocks, and adhesive caulk.

Pedestal



Raised Panel **Recessed Panel**

*Available in L-shaped halves or fully assembled with 4x4 treated wood post.

†Available in single panel, double panel with rail breaks, and triple panel. The double panel with rail breaks are set to fit 36" or 42" rails heights.

‡Available in single and double fluted.

Column Dimensions

Width*	Available Lengths
Square	
6"	6', 8', 9', 10', 12'
8"	6', 8', 9', 10', 12'
10"	6', 8', 9', 10', 12'
12"	6', 8', 9', 10', 12'
Craftsman†	
10" x 6"	48", 54", 60", 66", 72", 84", 96", 108", 120"
12" x 8"	48", 54", 60", 66", 72", 84", 96", 108", 120"
16" x 10"	48", 54", 60", 66", 72", 84", 96", 108", 120"
20" x 15"	48", 54", 60", 66", 72", 84", 96", 108", 120"
24" x 16"	48", 54", 60", 66", 72", 84", 96", 108", 120"
Pedestal	
12"	40", 46"
16"	40", 46"
20"	40", 46"
24"	40", 46"

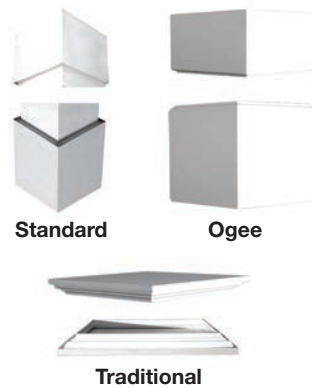
†Craftsman column width is specified by bottom width x top width.

*Not available in recessed panel.

Note: Additional sizes available. Please call for details.

Cap & Base Configurations

Standard Caps/Bases

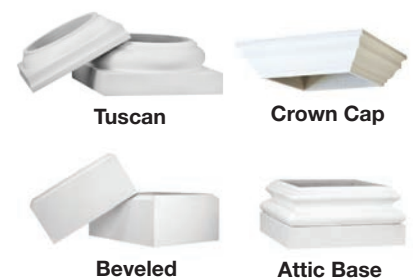


Standard

Ogee

Traditional

Optional Caps/Bases



Tuscan

Crown Cap

Beveled

Attic Base

The Standard or Ogee cap/base comes standard on all square columns. The Traditional cap/base comes standard on Craftsman columns and Pedestals. The Tuscan, Beveled, Crown, and Attic caps/bases are optional. Caps and bases can be used as a set or ordered separately.

HB&G PVC Columns

PermaWrap® – Wood Grain PVC Column Wraps

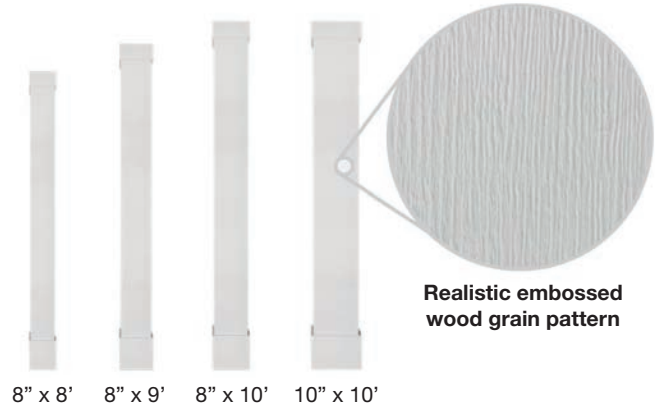
PermaWrap® Woodgrain PVC Columns offer a revolutionary solution to quickly and effortlessly transform treated posts into decorative columns. Our cutting-edge design eliminates the hassle of cutting and shaping other materials on-site, making your project smoother and more efficient.

Features

- **Quick Transformation** – Easily convert a simple post into a decorative column in minutes
- **Woodgrain Pattern** – Realistic embossed woodgrain pattern resembles popular trim boards and cement siding
- **Durability** – Made from cellular PVC, columns are immune to moisture and insects
- **Workability of Wood:** Has the thickness, ease of use, and workability of wood
- **Warranty Protection** – 25-year Residential and 10-year Multifamily Limited Warranty.



PermaWrap™ Woodgrain Column Dimensions	
Width	Lengths Available
8" x 8"	8', 9', 10'
10" x 10"	10'



PermaSnap™ – PVC Column Wraps

Transform a treated post into a finished column in minutes. PermaSnap™ column wrap's patented snap design permits easy installation by one person. It can also be used as a newel post wrap.

- 25 Year Limited Warranty
- Weather & Insect Proof
- Low Maintenance
- Made from PVC
- Easy Installation

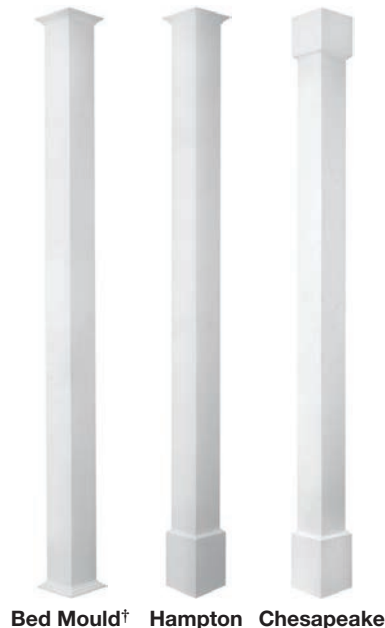
PermaSnap™ Column Dimensions*		
Post Size	Column Wrap Outside Diameter	Lengths Available
4" x 4"	4-3/4" x 4-3/4"	8'6" and 10'
6" x 6"	6-3/4" x 6-3/4"	8'6" and 10'
8" x 8"	9-1/2" x 9-1/2"	8'6" and 10'
10" x 10"	11-1/2" x 11-1/2"	8'6" and 10'

*There may be a variance of up to 3/4" in all dimensions.



PermaSnap™ Accessories*	
Accessories	Sizes Available
Bed Mould Trim Kit**	4, 6, 8, 10"
Hampton Trim Kit	4, 6, 8, 10"
Chesapeake Trim Kit	4, 6, 8, 10"
Bed Mould XL	4, 6, 8, 10"
Neck Mould	4, 6, 8, 10"
Charleston Newel Cap	4"
Wilmington Newl Cap	4"
Ashbury Newel Cap	6"

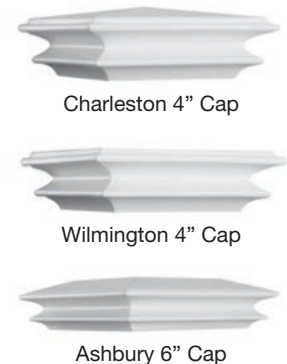
*Accessories sold separately.
**Bed Mould Trim Kit is needed for both ends



Quick & Easy Installation with Patented Snap Design



NEWEL CAPS



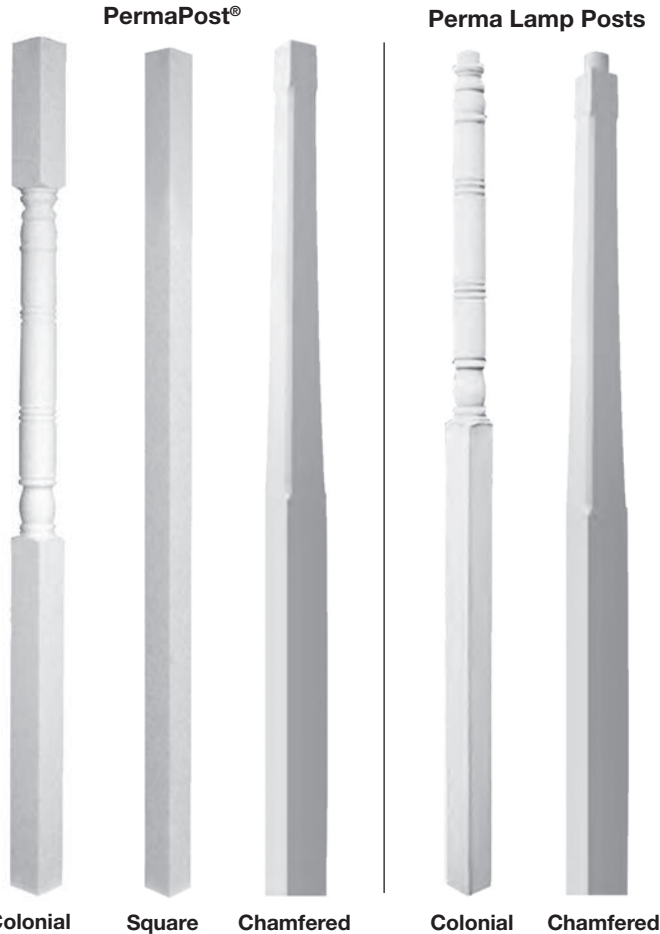
Note: Adhesive not included.

HB&G Synthetic Posts



PermaPost® Collection – Load Bearing Exterior Posts

HB&G PermaPost® products are low maintenance and load bearing and offer an insect and weatherproof alternative to a traditional wood porch posts. All posts are composed of a synthetic outer shell that surrounds a galvanized steel pipe and polyurethane foam filler. All PermaPost® styles come with a 25-year Limited Warranty.



Colonial & Chamfered Posts –

The outer shell is constructed with polyethylene material and prefinished white. It is not meant to be painted.

Square Posts –

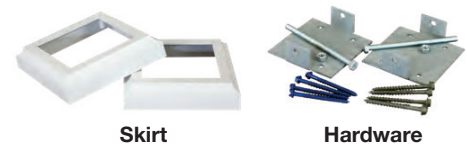
The outer shell is constructed with low maintenance PVC and is prefinished in a white capstock.

Perma Lamp Posts –

Perma Lamp Posts are an attractive way to light a drive or garden area. The pipe in the center is designed to allow a wire to be easily installed. The 2-7/8" pipe fits most outdoor lamp fixtures.

PermaPost® Dimensions*						
Post Size	Width	Top Height	Turned Area	Base Height	Total Length	Load Capacity
Colonial Posts						
5" x 5"	4"	16-1/4"	38-1/2"	41-1/2"	8'	1300
5" x 5"	4"	24-1/2"	38-1/2"	45-1/4"	9'	1300
6" x 6"	5"	16-1/4"	38-1/2"	41-1/2"	8'	5000
6" x 6"	5"	24-1/2"	38-1/2"	45-1/4"	9'	5000
Square Posts						
5" x 5"	4-1/4"	–	–	–	8'	5000
5" x 5"	4-1/4"	–	–	–	9'	5000
5" x 5"	4-1/4"	–	–	–	10'	5000
Chamfered Post						
6" x 6"	3-1/2" & 5-1/2"	4-1/2"	–	46-1/4"	8'	5000
Colonial Lamp Post						
6" x 6"	3-1/2" & 5-1/2"	–	38"	–	7' 6-1/2"	–
Chamfered Lamp Post						
6" x 6"	3-1/2" & 5-1/2"	4-1/2"	–	46-1/4"	8'	–

*There may be a variance of up to 1/4" in all dimensions. All sizes are nominal.
Note: Load bearing capacity is dependent on the concentric loading of the post.



Porch-Loc® Installation Kit

Available for all sizes of Colonial and Square PermaPost® styles

- Secures structural post to floor and beam/header
- Adds wind uplift resistance
- Easy Installation
- Skirts and hardware included

HB&G Fiberglass Pergolas

HB&G manufactures fiberglass pergola kits using pultrusion technology to produce the strongest yet lightest structures available with a Limited Lifetime Warranty. Our structural fiberglass components are strong, lightweight, and provide a higher level of aesthetic quality than vinyl or wood pergolas.

Features

- Wind load rated
- Low maintenance
- Easy installation
- Pre-finished with ChromaGuard® engineered coating
- Arbor-Loc® tie-down system
- Hollow rafters can act as conduit for wiring
- Will not rot, check or twist
- Stability



Serenity® Series – Stock Pergola Kits

Serenity Series pergola kits include:

- White ChromaGuard® engineered coating
- Arbor-Loc® tie-down system
- Napa rafter tail
- Choice of PermaLite® round no-taper columns or square columns
- Single support rafter with header



PermaLite® No-Taper Round Columns



PermaLite® Square Columns

Note: Standard 8" or 10" round or square wind load/deck plates offering up to 160 mph uplift resistance can be purchased separately. Deck screws not included.

Dimensions & Column Sizes		
Overhead Size	Column Center Size	Column Size
PermaLite® No-Taper Round Column Kits		
FS 12' x 12'	8' x 8'	8" x 8"
FS 14' x 14'	10' x 10'	10" x 8"
FS 16' x 16'	12' x 12'	10" x 8"
PermaLite® Square Column Kits		
FS 12' x 12'	8' x 8'	8" x 8"
FS 14' x 14'	10' x 10'	10" x 8"
FS 16' x 16'	12' x 12'	10" x 8"
ATT 12' x 10'	8' x 8'	10" x 8"
ATT 14' x 10'	10' x 8'	10" x 8"

FS=Free Standing / ATT=Attached

Tranquility® Series – Predesigned Pergola Kits

Tranquility Series pergola kits include:

- White ChromaGuard® engineered coating
- Arbor-Loc® tie-down system
- Napa rafter tail
- Choice of 10" x 8' PermaCast® round tapered columns or 10" x 8' PermaLite® square columns
- Double support rafter with no header



PermaCast® Round Tapered Columns



PermaLite® Square Columns

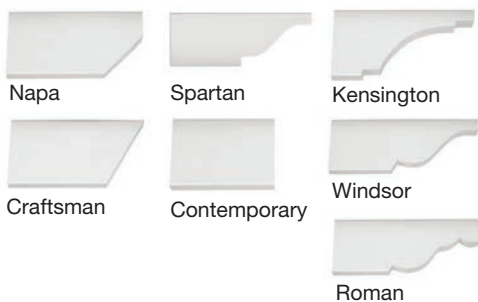
Note: Standard 8" or 10" round or square wind load/deck plates offering up to 160 mph uplift resistance can be purchased separately. Deck screws not included.

Overhead Dimensions			
Freestanding Pergolas			
12' x 12'	14' x 18'	18' x 12'	20' x 18'
12' x 14'	14' x 22'	18' x 14'	20' x 20'
12' x 16'	14' x 20'	18' x 16'	20' x 22'
12' x 18'	16' x 12'	18' x 18'	22' x 12'
12' x 22'	16' x 14'	18' x 22'	22' x 14'
14' x 12'	16' x 16'	20' x 12'	22' x 16'
14' x 14'	16' x 18'	20' x 14'	22' x 18'
14' x 16'	16' x 22'	20' x 16'	22' x 22'
Attached Pergola			
12' x 10'	14' x 14'	18' x 10'	20' x 16'
12' x 12'	14' x 16'	18' x 12'	20' x 18'
12' x 14'	14' x 20'	18' x 14'	20' x 20'
12' x 16'	16' x 10'	18' x 16'	22' x 10'
12' x 18'	16' x 12'	18' x 20'	22' x 12'
12' x 20'	16' x 14'	20' x 10'	22' x 14'
14' x 10'	16' x 16'	20' x 12'	22' x 16'
14' x 12'	16' x 20'	20' x 14'	22' x 20'

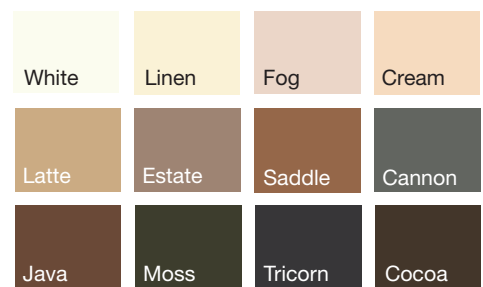
Semi-Custom Options

Make Serenity® or Tranquility® pergolas your own by selecting from these semi-custom options.

Rafter Tails



Colors



Superior Aluminum Columns



Strong, Durable and Maintenance-Free Aluminum

A blend of traditional and modern styles combine with **load-bearing strength** and **wrap-around functionality** to make aluminum columns an ideal companion for overhanging structures. Superior Aluminum columns are available in four profiles in diameters up to 30" and lengths up to 30'. These beautiful aluminum products are built to last a lifetime!



Round Fluted



Square Fluted



Square Smooth



Square Panel

Finishes



White (W)



Black (B)



Dark Bronze (DB)



Sandstone/Clay (S)



Gray (G)



Mill (M)

Round Fluted Columns – Dimensions & Load Bearing Data

Nominal Diameter	Outside Diameter	Inside Diameter	Max. Square Encaseable*	No. Staves	Load Lbs.**	Standard Lengths†	Colors Available
Round Fluted							
6"	5-5/8"	4-3/4"	3-1/2"	3	13,000	<u>8'</u> , 9', 10', 20'	W, S, M
8"	8"	7-1/8"	5-1/4"	3	22,000	<u>8'</u> , 9', 10', 12', 14', 16'	W, S, M
10"	10"	8-7/8"	6-1/4"	4	25,000	<u>8'</u> , 9', 10', <u>12'</u> , 14', 16', 18', 20'	W, S, M
12"	11-1/4"	9-7/8"	6-7/8"	5	30,000	<u>8'</u> , 9', 10', <u>12'</u> , 16', 18', 20'	W, S, M
15"	14-3/8"	13-1/8"	9-1/4"	6	34,000	<u>12'</u> , 16', 18', 20'	W, S, M
18"	18"	16"	11-5/16"	6	38,000	<u>16'</u> , <u>18'</u> , 20'	W, S, M
24"	24"	22"	15-9/16"	6	50,000	<u>16'</u> , <u>18'</u> , 20', 24'	W, S, M
30"	30"	28"	19-13/16"	8	58,000	<u>16'</u> , <u>18'</u> , 20', 24'	W, S, M

*Largest size support structure that can be enclosed by corresponding wrap-around column.

**Wraparound applications of 10" diameter and greater are non-load bearing.

†Subject to availability. Unlisted lengths available upon request.

Tested lengths are underlined.

Square Columns – Dimensions & Load Bearing Data

Nominal Diameter	Outside Diameter	Max. Square Encaseable*	No. Staves	Load Lbs.	Standard Lengths**	Colors Available
Square Fluted						
4"	4"	3-1/8"	2	13,000	<u>8'</u> , 10'	W, B, S
6"	5-1/2"	4-5/8"	4	12,000	<u>8'</u> , 9', 10', 20'	W, B, DB, S, G, M
8"	7-1/2"	6-1/2"	4	18,000	<u>8'</u> , 9', 10', 12', 20'	W, B, DB, S, G, M
10"	9-1/2"	8-1/2"	4	33,000	<u>8'</u> , 10', <u>12'</u> , 16'	W, B, DB, S, M
12"	11-1/2"	10-1/2"	4	27,660	<u>10'</u> , 12', 16', 20'	W, B, S, M
16"	15-1/2"	13-3/4"	4	13,000	<u>16'</u> , 20', 24'	W
Square Panel						
6"	5-1/2"	4-3/16"	4	38,000	<u>8'</u> , 9', 10', 20'	W, B, DB, S, G, M
8"	7-1/2"	6-3/16"	4	60,000	<u>8'</u> , 9', 10', 12', 20'	W, B, DB, S, G, M
10"	9-1/2"	8-1/8"	4	80,000	<u>8'</u> , 10', <u>12'</u> , 20'	W, B, DB, S, M
12"	11-1/2"	10-1/8"	4	75,000	<u>10'</u> , 12', <u>16'</u> , 20'	W, B, S
16"	15-1/2"	13-7/8"	8	75,000	<u>16'</u> , 20', 24'	W
Square Smooth						
4"	4"	-	1	15,000	<u>8'</u> , 10'	W, B, DB, S, G, M
6"	5-1/2"	4-9/16"	4	13,000	<u>8'</u> , 9', 10', 20'	W, B, DB, S, G, M
8"	7-1/2"	6-1/2"	4	19,000	<u>8'</u> , 9', 10', 12', 20'	W, B, DB, S, G, M
10"	9-1/2"	8-1/16"	4	45,000	<u>8'</u> , 10', 12', 20'	W, B, DB, S, M
12"	11-1/2"	10-1/16"	4	50,000	<u>10'</u> , 12', <u>16'</u> , 20'	W, B, S, M



Round Fluted

Square Fluted

Square Panel

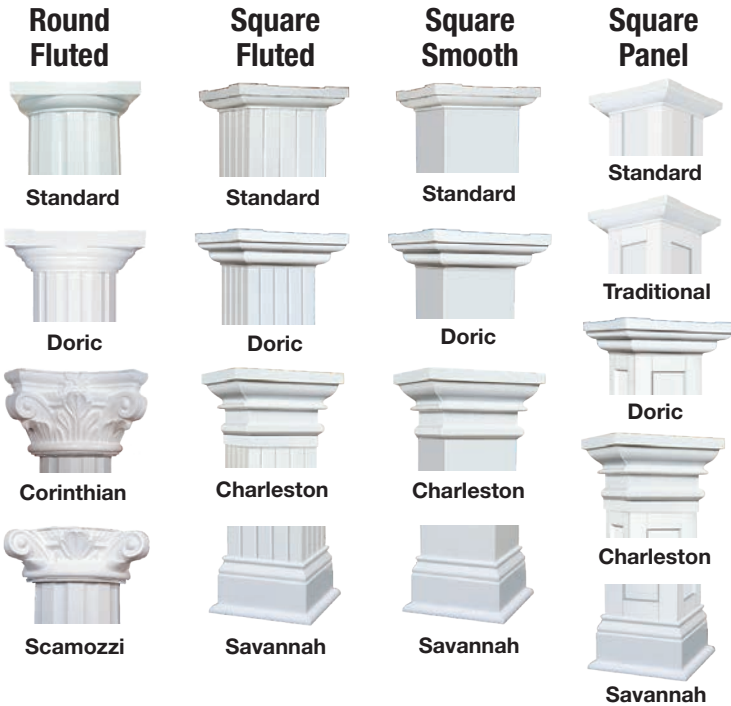
Square Smooth

*Largest size support structure that can be enclosed by the corresponding wrap-around column.

**Subject to availability. Unlisted lengths available upon request. Tested lengths are underlined.

Superior Aluminum Columns

Cap & Base Styles

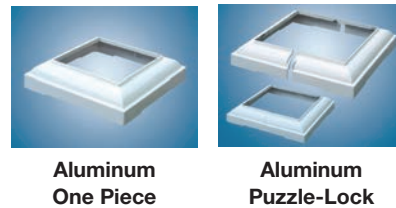


Cap & Base Configurations

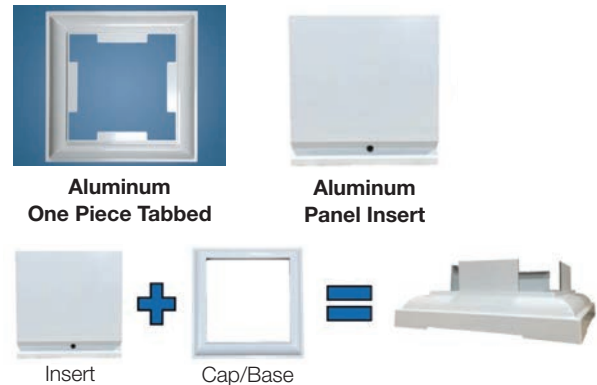
Round Fluted



Square Fluted, Smooth & Panel



Square Panel Only



Note: ALL square panel caps/bases, except the 6" and 8" One Piece Tabbed, require inserts.

Square Smooth Only



Square Fluted & Smooth Welded Cap Options



Round Fluted Cap/Base Sizes

Style		6"	8"	10"	12"	15"	18"	24"	30"
Standard	One Piece	x	x	x	x	x	x	x	
	Puzzle-Lock	x	x	x	x	x	x	x	
Doric	One Piece		x	x	x	x	x	x	x
	Puzzle-Lock		x	x	x	x	x	x	x
Scamozzi*	One Piece		x	x	x	x	x	x	
Corinthian*	One Piece		x	x	x	x	x	x	

*Cap only. Comes with standard base.

Square Fluted & Smooth Cap/Base Sizes

Style		4"	6"	8"	10"	12"	16"
Standard	One Piece	x	x	x	x	x	x
	Puzzle-Lock	x	x	x	x	x	x
Doric	One Piece		x	x	x	x	x
	Puzzle-Lock		x	x	x	x	x
Charleston*	One Piece		x	x	x	x	x
	Puzzle-Lock		x	x	x	x	x
Savannah**	One Piece		x	x	x	x	x
	Puzzle-Lock		x	x	x	x	x

*Cap only. Comes with standard base. **Base only. Comes with standard cap.

Square Panel Cap/Base Sizes

Style		4"	6"	8"	10"	12"	16"
Standard	One Piece Tabbed		x	x			
	One Piece	x	x	x	x	x	x
Traditional	Puzzle-Lock	x	x	x	x	x	x
	One Piece		x	x	x	x	x
Doric	Puzzle-Lock		x	x	x	x	x
	One Piece		x	x	x	x	x
Charleston*	Puzzle-Lock		x	x	x	x	x
	One Piece		x	x	x	x	x
Savannah**	Puzzle-Lock		x	x	x	x	x
	One Piece		x	x	x	x	x

*Cap only. Comes with standard base. **Base only. Comes with standard cap.

Superior PVC Columns & Aluminum Railing



Snap-Tite® – PVC Column Wraps

Superior Snap-Tite® PVC Column Wraps use a patented design that is the industry's first and only column wrap that does not require PVC Glue or other adhesives. The product simply snaps together!

- Built with cellular PVC to ensure longevity
- Reduces installation time by up to 80%!
- No PVC Glue or other adhesives needed
- No need to return next day to remove straps and perform final touch up
- Available in Wood Grain and Smooth Textured



Snap-Tite® Column Dimensions						
Size	Nominal Diameter	Outside Diameter	Max Encaseable	Height	Weight (lbs.)	PVC Thickness
6" x 8'	6"	5-1/2"	4-1/4"	8'	20	3/8"
6" x 10'	6"	5-1/2"	4-1/4"	10'	24	3/8"
8" x 8'	8"	7-1/2"	6-1/4"	8'	25	3/8"
8" x 10'	8"	7-1/2"	6-1/4"	10'	31	3/8"



Patented Snap-Tite® design for quick and easy installation. No PVC glue or adhesive needed!

CAPS & BASES



Uptown Cap/Base



Parkway Cap/Base

Snap-Tite® Cap & Base Dimensions					
Style	Nominal Diameter	Outside Diameter	Inside Diameter	Height	Weight (lbs.)
6" Parkway	6"	10-1/4"	5-3/4"	2-1/4"	0.35
8" Parkway	8"	12-1/4"	7-3/4"	3"	0.45
6" Uptown	6"	7-1/4"	5-3/4"	6"	0.55
8" Uptown	8"	9-1/4"	7-3/4"	8"	0.90



Smooth Textured



Wood Grain

Aluminum Railing

The exceptional design of Superior Aluminum Railing adds safety, compliance, and a distinct finishing touch to any project. Superior offers a wide range of railing styles and features including:

- Code-compliance in virtually any setting
- Durable, high-quality aluminum extrusions and castings
- Strong, durable, and maintenance-free
- Rust and corrosion-free
- Matching pipe handrail for stairs or ramps



Series 9P



Series 5H



Series 5P



Series 9C



Series 5C



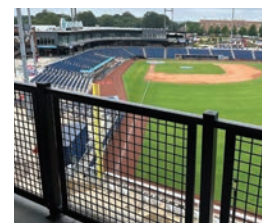
Series 9H

Railing Series

- **Series 9P** – Picket Railing
- **Series 5H** – Pipe Railing
- **Series 5P** – Pipe Picket Railing
- **Series 9C** – Cable Railing
- **Series 5C** – Pipe Cable Railing
- **Series 9H** – Horizontal Railing
- **Series 9G** – Glass Railing
- **Series 9M** – Mesh Railing
- **Series 6E** – Economy Picket Railing



Series 9G



Series 9M



Series 6E

Please call for additional information.

PlyGem Shutters

PlyGem offers high-quality shutters built to look as good as your home - whether it's brick, stone, vinyl siding, stucco or wood. PlyGem achieves tremendous quality through their use of advanced UV stabilizers and a tough acrylic coating - backed by an industry leading Limited Lifetime Warranty. They offer several panel varieties as well as a wide variety of standard sizes and a custom length program. Wrap your home in the beauty and elegance of the Mastic shutter collection.



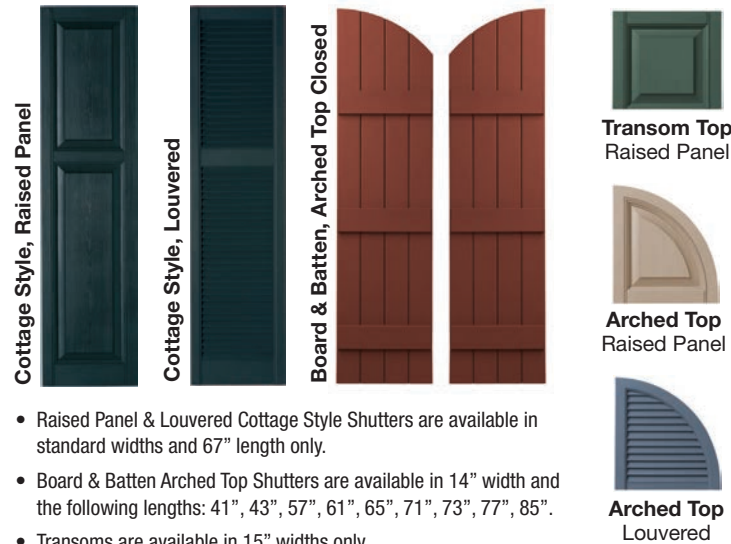
Standard Shutter Styles



Colors



Specialty Shutter Styles



- Raised Panel & Louvered Cottage Style Shutters are available in standard widths and 67" length only.
- Board & Batten Arched Top Shutters are available in 14" width and the following lengths: 41", 43", 57", 61", 65", 71", 73", 77", 85".
- Transoms are available in 15" widths only.

Accessories



Decorative hinges and hooks are available to complete the look of working shutters.

Standard Shutter Sizes

Style		Length Options															
		Width	25"	27"	31"	35"	39"	43"	47"	51"	55"	59"	63"	67"	71"	75"	81"
Raised Panel	12"		x	x	x	x	x	x	x	x	x	x	x	x			
	15"			x	x	x	x	x	x	x	x	x	x	x	x	x	
Louvered	12"									x	x						
	15"	x		x	x	x	x	x	x	x	x	x	x	x	x	x	x
Board & Batten	3 Board Closed	11"			x	x	x	x	x	x	x	x	x	x	x	x	x
	3 Board Open	12"			x	x	x	x	x	x	x	x	x	x	x	x	x
	4 Board Closed	15"			x	x	x	x	x	x	x	x	x	x	x	x	x
	4 Board Open	16"			x	x	x	x	x	x	x	x	x	x	x	x	x

Safe-Way Garage Doors



Safe-Way doors offer the style, energy savings and choices for today's homeowner or commercial business. Our garage doors feature commercial-grade hardware and superb craftsmanship to ensure long-lasting durability and outstanding beauty.

Choice Series – Residential

Available in insulated and non-insulated models, Choice Series quality residential garage doors feature classic style with attractive traditional short or long ranch panels and a variety of window choices. Steel construction ensures long-lasting strength and durability that adds value to your home for years to come.

Model Options

2" Thick | 25 Gauge | Non-Insulated

Model 56 – Short Raised Panel

Model 58 – Long Ranch Raised Panel

2" Thick | 25 Gauge | Insulated*

Model 57 – Short Raised Panel

Model 59 – Long Ranch Raised Panel

**R6 polystyrene with vinyl backer*

Panel Options



56/57 – Short Raised Panel



58/59 – Long Ranch Raised Panel

Colors



White

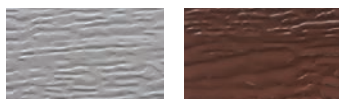
Almond

Bronze



Dessert Tan

Sandstone



Grey

Brown

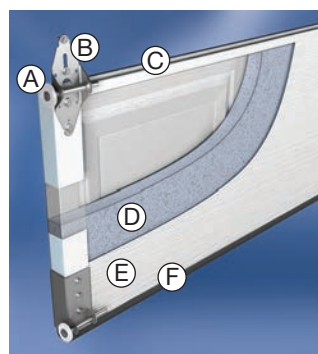


Model 56/57



Model 58/59

Construction



- A** - Nylon roller provides quiet operation and long lasting durability
- B** - Heavy-duty galvanized 18 gauge hardware
- C** - Tongue and groove design provides weather-tight section joints
- D** - Vinyl-backed 1-3/8" expanded polystyrene insulation with an R-Value of 6.0
- E** - 25 gauge steel
- F** - Plastic bottom retainer with vinyl weatherstrip

Window Options

Refer to page 25 for glass styles. Choice Series Models 56-59 can choose from short and long window styles in the Estate Window Series.

Sizes

Choice Series residential doors are available in 8' to 18' widths and 6'6" to 14' heights.

Safe-Way Garage Doors

Regency Series – Residential

Regency Series residential garage doors combine the beauty of wood-like design with the strength and easy care of steel. Available with a variety of panel styles, the Regency Series features polystyrene insulation surrounded by two steel skins, providing durability and noise reduction. A choice of window styles and durable baked factory finishes lets you select the perfect door for your home.



Model 65



Model 68



Model 70

Model Options

2" Sandwich Door | 27 Gauge | Insulated*

- Model 64** – Long Stamped Carriage House
- Model 65** – Short Raised Panel
- Model 66** – Flush Panel
- Model 67** – Long Raised Panel
- Model 68** – Short Stamped Carriage House
- Model 69** – Medium Raised Panel

2" Wood Look Sandwich Door | 27 Gauge | Insulated*

- Model 70** – Short Raised Panel
- Model 71** – Medium Raised Panel
- Model 72** – Long Raised Panel
- Model 73** – Short Stamped Carriage House
- Model 74** – Flush Panel
- Model 75** – Long Stamped Carriage House

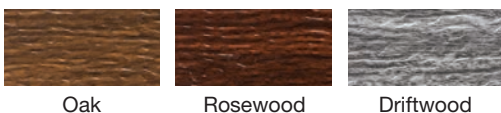
*R10.25 polystyrene with steel backer

Colors

Models 64-69



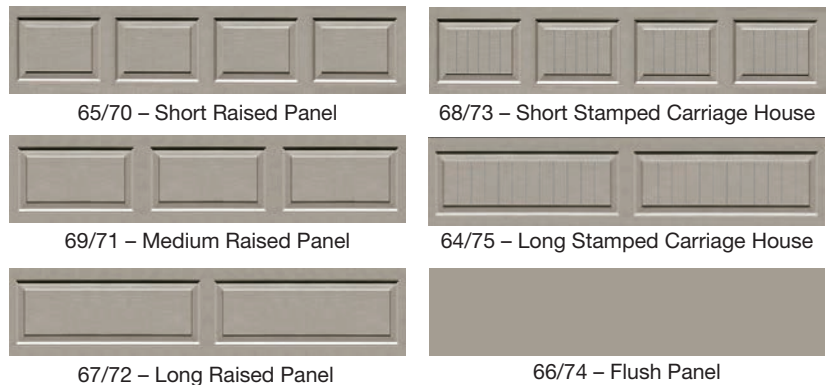
Models 70-75



Window Options

Refer to page 25 for glass styles. Regency Series Models 65-74 can choose from short, medium and long window styles in the Estate Window Series and the Gentry Window Series.

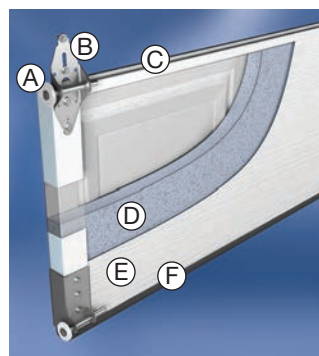
Panel Options



Sizes

Regency Series doors are available in 8' to 20' widths and 6'6" to 16' heights.

Construction



- A** - 11 ball nylon rollers provides quiet operation and long lasting durability
- B** - Heavy-duty galvanized 14 gauge hardware
- C** - Tongue and groove design provides weather-tight section joints
- D** - Expanded polystyrene insulation provides an R-Value of 10.25
- E** - Steel skins inside and out provide maximum durability
- F** - Aluminum bottom retainer with vinyl weatherstrip

Optional Decorative Hardware



Safe-Way Garage Doors



Deluxe Series – Residential

The Deluxe Series gives you beauty on a budget. Included in this popular garage door line are panel options that features the “carriage house” look along with the durability and maintenance free benefits of steel for an outstanding value. Insulated and non-insulated models are available with multiple window and decorative hardware options to enhance the appearance of your home.

Model Options

2" Thick | 24 Gauge | Non-Insulated

Model 40 – Stamped Carriage House

2" Thick | 24 Gauge | Insulated*

Model 41 – Stamped Carriage House

**R6 polystyrene with vinyl backer*

Panel Options



40/41 – Stamped Carriage House

Colors

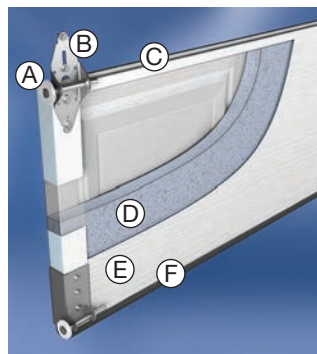


Model 40/41



Model 40/41

Construction



- A** - 11 ball nylon rollers provides quiet operation and long lasting durability
- B** - Heavy-duty galvanized 14 gauge hardware
- C** - Tongue and groove design provides weather-tight section joints
- D** - Vinyl-backed 1-3/8" expanded polystyrene insulation provides an R-value of 6.0
- E** - 24 gauge steel
- F** - Aluminum bottom retainer with vinyl weatherstrip

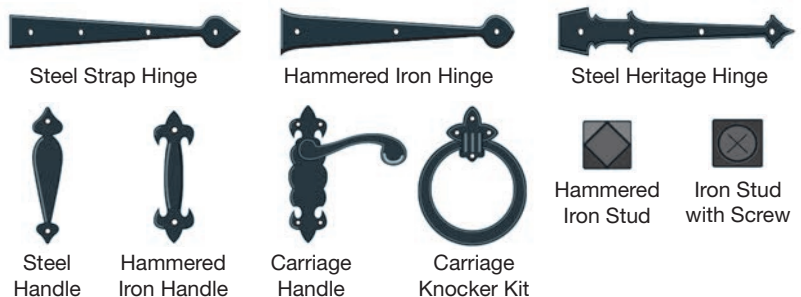
Sizes

Deluxe Series residential doors are available in 8' to 18' widths and 6'6" to 14' heights.

Window Options

Refer to page 25 for glass styles. Deluxe Series Models 40-41 can choose from short and long window styles in the Estate Window Series.

Optional Decorative Hardware



Safe-Way Garage Doors

Residential Garage Doors - Glass Styles

For Choice, Regency & Deluxe Series Doors

Estate Window Series

Standard Short Raised Panel



Medium Raised Panel

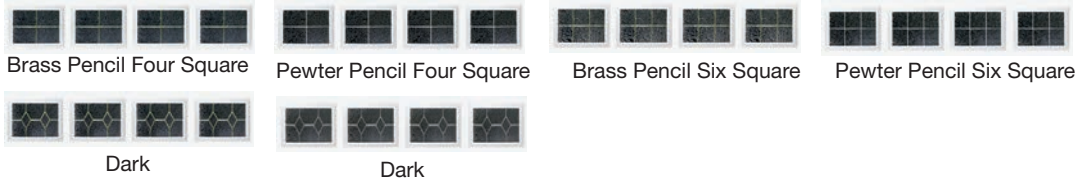


Long Ranch Raised Panel

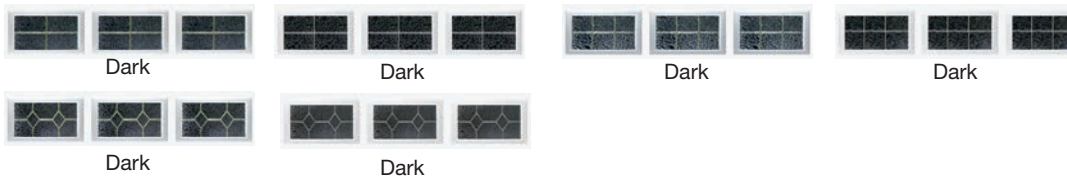


Gentry Window Series*

Standard Short Raised Panel



Medium Raised Panel



Long Ranch Raised Panel



*Safe-Way recommends viewing samples of Gentry style windows prior to ordering. Gentry depictions in this literature are actual photography, however, lighting inside or outside the garage can significantly impact the look of these windows.

Safe-Way Garage Doors



Wood Grain Doors – Residential

Elevate the appearance of your home with our new Wood Grain Doors! Whether you prefer modern or classic styles, these doors feature high resolution woodgrain imaging digitally transferred to steel, creating the ultimate combination of beauty and durability. Available in both Ambient and Regency Series doors, and in a variety of panel styles, window options, and decorative hardware, the Wood Grain options are sure to improve the appearance and value of your home!



Plank Wood Grain



Walnut Wood Grain



Classic Wood Grain



Natural Wood Grain

Model Options

AMBIENT SERIES

2" Thick | 20 Gauge | Polyurethane core
with R-Value of 17.68

Model 275 – Pencil Groove Panel

Model 286 – Flush Panel

Model 96 – Short Raised Panel

Model 98 – Long Raised Panel

Model 99 – Short Carriage Stamped

Model 100 – Long Carriage Stamped

REGENCY SERIES

2" Thick | 27 Gauge | Polystyrene core
with R-Value of 10.25

Model 274 – Pencil Groove Panel

Model 266 – Flush Panel

Model 76 – Short Raised Panel

Model 78 – Long Raised Panel

Model 79 – Short Carriage Stamped

Model 80 – Long Carriage Stamped

Panel Options

Plank Wood Grain Options



Pencil Groove

Available in 21" and 24" section heights.



Flush

Available in 18", 21" and 24" section heights.

Walnut, Classic and Natural Wood Grain Options



Short Raised Panel



Long Raised Panel



Short Carriage Stamped



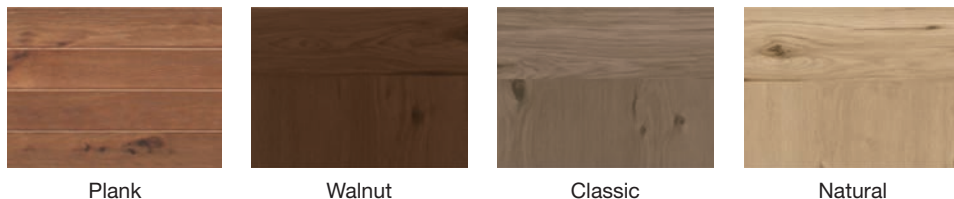
Long Carriage Stamped

Safe-Way Garage Doors

Wood Grain Garage Doors

For Select Ambient & Regency Series Doors

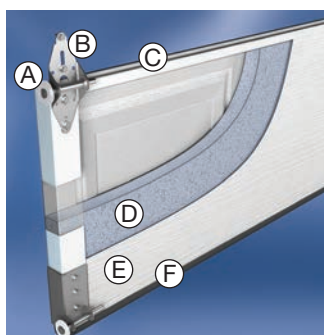
Colors



Wood grain finishes feature scanned and digitally transferred imaging of real wood. Wood grain patterns and colors are organized to have vertical and horizontal graining, offering the truest representation of wood available on a steel door.

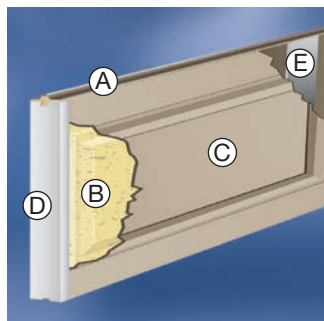
Construction

Ambient Door Construction – Models 275, 286, 96, 98, 99, 100



- A** - 11 ball nylon rollers provides quiet operation and long lasting durability
- B** - Heavy-duty galvanized 14 gauge hardware
- C** - Tongue and groove design provides weather-tight section joints
- D** - Expanded polystyrene insulation provides an R-value of 10.25
- E** - Steel skins inside and out provide maximum durability
- F** - Aluminum bottom retainer with vinyl weatherstrip

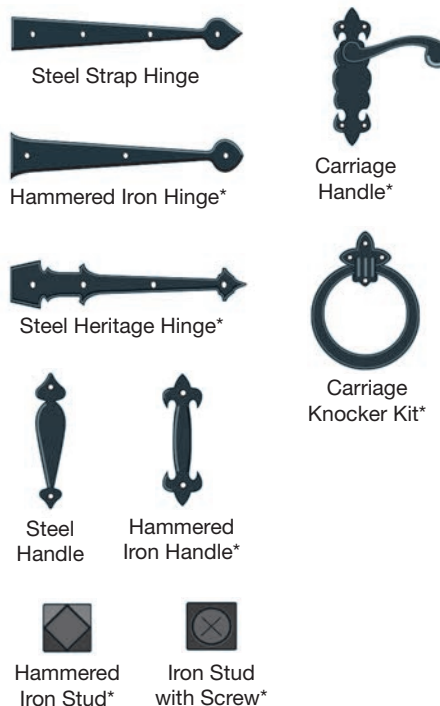
Regency Door Construction* – Models 274, 266, 76, 78, 79, 80



- A** - Tongue and groove enclosed with bulb type polypropylene thermal break anchored within the polyurethane core
- B** - Polyurethane injected insulation provides an R-value of 17.68
- C** - Steel skins inside and out provide maximum durability
- D** - 20 gauge pre-painted heavy steel end stiles for added strength
- E** - Interior 20 gauge backer plate full height of section at all hinge points

*Other features included: 11 ball nylon rollers, heavy duty galvanized 14 gauge hardware, and aluminum bottom retainer with vinyl weatherstrip.

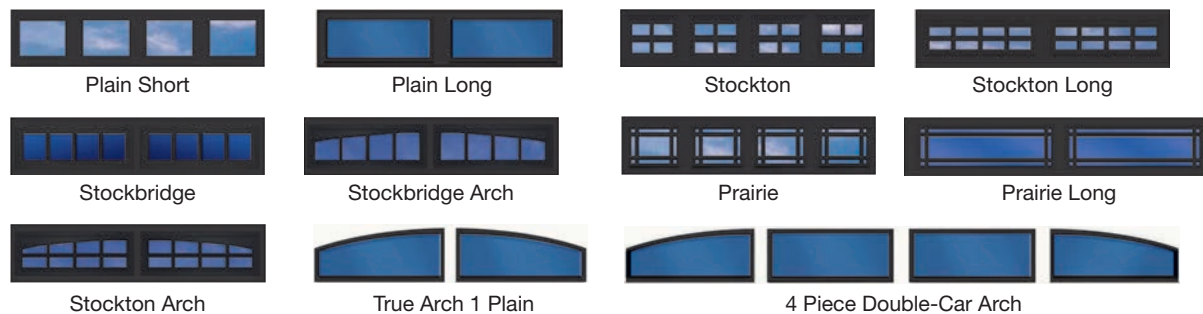
Decorative Hardware



*Optional hardware – must be purchased separately.

Window Options

Frames and grilles are available in complimentary colors or in black. Additionally, both insulated and non insulated window options are available, as well as a variety of glass options. Please call for details.



Safe-Way Garage Doors



Aristocrat Series – Residential

Steel Carriage Garage Doors

The Aristocrat Series adds prestige to any home. Combining the power of steel and the elegance of a carriage-style door, they deliver strength, durability and outstanding performance.

Model Options

Presidential Models – Noted by the letter “P”

- 3 layer steel construction
- Polystyrene core with R-value of 10.25

Monarch Models – Noted by the letter “M”

- 3 layer steel construction
- Polyurethane core with R-value of 17.68
- Thermal section break
- Maximum sound deadening & insulation

Colors

Base Door Colors



Overlay Color

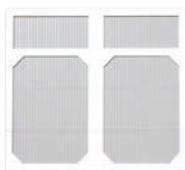


Note: The Presidential Series base and overlays can be painted. Safe-Way specifies Sherwin-Williams® VinylSafe™ paint colors only (available in Duration Exterior Coating or SuperPaint Exterior Paint). Failure to use this paint will void the product warranty.

Sizes

Presidential Series doors are available up to 10' in height. Custom sizes also available.

Upgrade Option



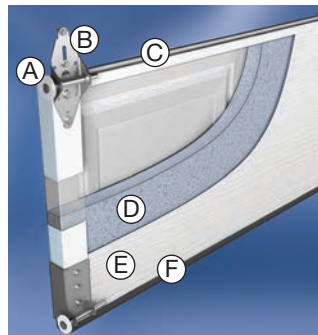
Presidential Premium

- Vertical tongue and groove vinyl boards are applied over the entire steel surface with trim boards on top
- Available in white only



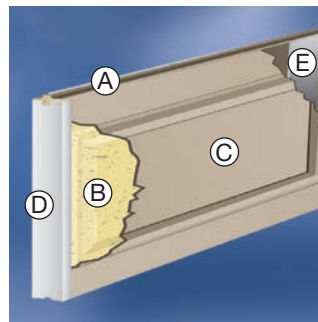
Construction

Presidential Door Construction



- A** - 11 ball nylon rollers provides quiet operation and long lasting durability
- B** - Heavy-duty galvanized 14 gauge hardware
- C** - Tongue and groove design provides weather-tight section joints
- D** - Expanded polystyrene insulation provides an R-value of 10.25
- E** - Steel skins inside and out provide maximum durability
- F** - Aluminum bottom retainer with vinyl weatherstrip

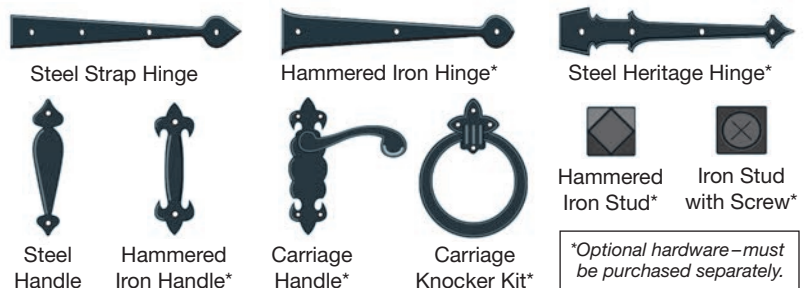
Monarch Door Construction*



- A** - Tongue and groove enclosed with bulb type polypropylene thermal break anchored within the polyurethane core
- B** - Polyurethane injected insulation provides an R-value of 17.68
- C** - Steel skins inside and out provide maximum durability
- D** - 20 gauge pre-painted heavy steel end stiles for added strength
- E** - Interior 20 gauge backer plate full height of section at all hinge points

*Other features included: 11 ball nylon rollers, heavy duty galvanized 14 gauge hardware, and aluminum bottom retainer with vinyl weatherstrip.

Decorative Hardware



Window Options



Safe-Way Garage Doors



Door & Window Selections Aristocrat Series

Door Size Style
Configurations



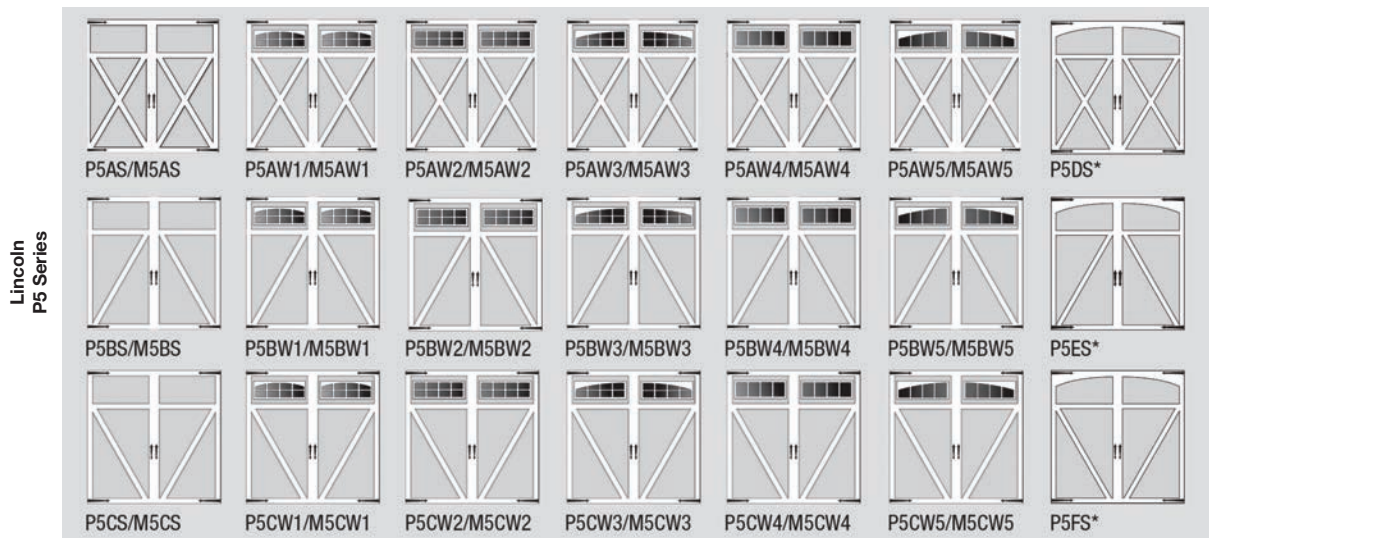
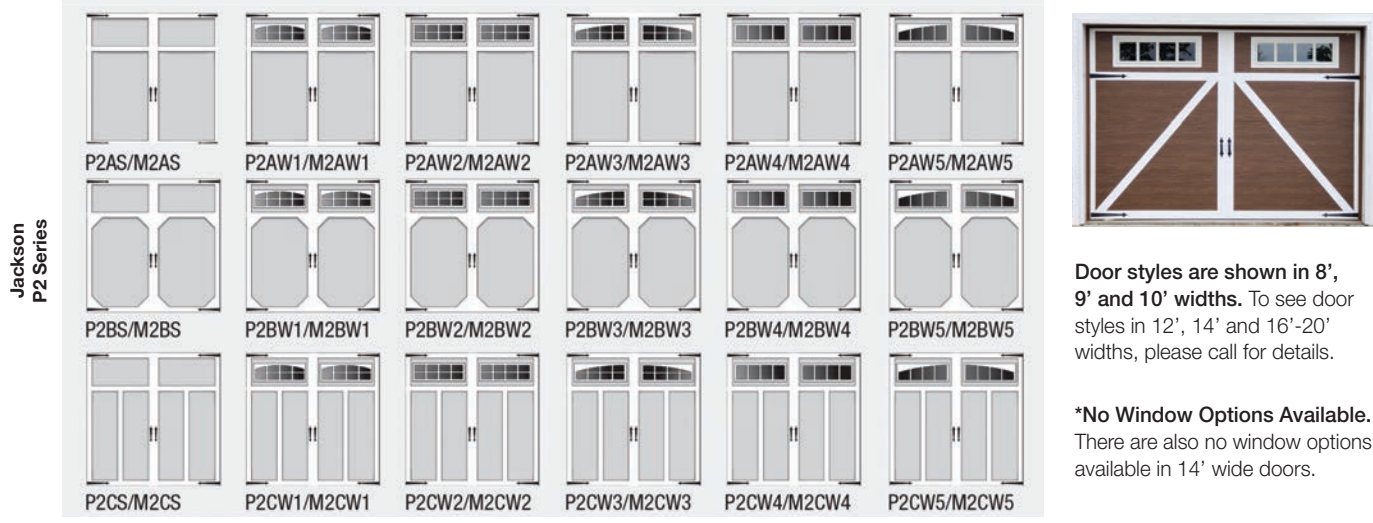
Door Widths:
8', 9' & 10'



Door Widths:
12' & 14'



Door Widths:
16'-20'



Safe-Way Garage Doors



Ventana Series – Residential & Commercial

Aluminum Full View Contemporary Garage Doors

When contemporary looks count, choose the Ventana Collection. Multiple window and color options give you artistic freedom to design a signature look and feel to any project. Make a statement with contemporary elegance for any residential application with clean sleek lines. Create a bold look with secure features for multiple commercial and industrial building applications.



Models				
Model	Width	Height	Glass Options	Aluminum Panel Options
450 Medium Frame	14'2" Max	14'0" Max	DSB Single, Tempered Single*	Single Thickness Pebble Grain
500 Heavy Frame	24'2" Max	16'0" Max	DSB Single, Tempered Single*	Single Thickness Pebble Grain
551 Heavy Frame	24'2" Max	16'0" Max	Insulated, Tempered Insulated*	Insulated Peddle Grain

Construction

- 2" thick, tongue and groove section joints allow for use with most Safe-Way door models.
- Stiles and rails firmly attach by internal through-bolting with Low-Visibility re-enforcing struts when required.
- Snap-in glazing strips secure either DSB glass, Plexiglass, Tempered, Insulated Tempered, Aluminum panels, or Insulated Aluminum panels.*



Model 550/551

Colors

Doors are available as Aluminum Anodized or any custom color in a powder coated finish. Please call for details. Powder coated finishes can be color-matched to most Safe-Way door models.



Aluminum Anodized



Glass Options



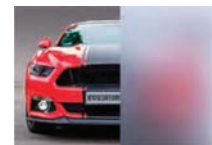
Clear



Bronze



Smoked



Frosted



Reeded



Thin Reeded



Water Glass



Aquatex



Single Glue Chip



Rain Water



Obscure



Industrex



Mirrorview

Safe-Way Garage Doors

Model 240/243 – Commercial

These doors are built with heavy-duty hardware and durable materials to provide years of maximum security, strength, and low-maintenance operation.

Model Options

Model 240 – Non-Insulated, Ribbed Steel

Model 243 – Insulated*, Ribbed Steel

*R6 polystyrene with steel backer

Sizes

Available in 8' to 24'2" widths and 8' to 18' heights.

Options

Track* – Available in 2" or 3" with Vertical Lift, High Lift, Follow the Roof Slope, and Low Headroom options.

Springs* – Doors are balanced by an oil tempered torsion spring counterbalance system with high-cycle spring options of 25,000, 50,000 or 100,000.

Windows* – Available insulated (white frame) or non-insulated (black frame) with a Full Vision option in double-strength glass or plexiglass.



12" x 24" Window

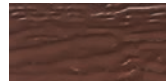


6" x 24" Window

*Please call for details.

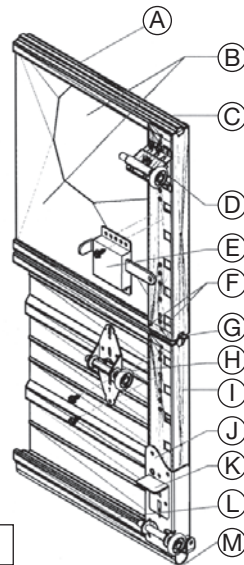


White



Brown

Construction



- A** - 2" thick sections
- B** - Steel-backed 1-3/8" thick expanded polystyrene insulation provides R-value of 6.0
- C** - 24 gauge smooth, deep-ribbed steel skin, galvanized and painted
- D** - 10 ball steel rollers
- E** - Inside side lock
- F** - End stiles attached using Tog-L-Lock® joining system for superior holding power
- G** - Tongue and groove joint
- H** - Heavy-duty 14 gauge hinges
- I** - 18 gauge galvanized steel stiles
- J** - Heavy gauge bottom fixture
- K** - Commercial step plate
- L** - Aluminum astragal holder
- M** - Vinyl bottom astragal

Model 270 – Commercial



These expanded polystyrene insulated doors with steel skins inside and out provide durability and versatility with multiple color and window options typically not available in commercial applications.



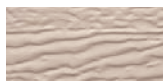
White



Almond



Bronze



Dessert Tan



Sandstone



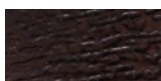
Grey



Brown

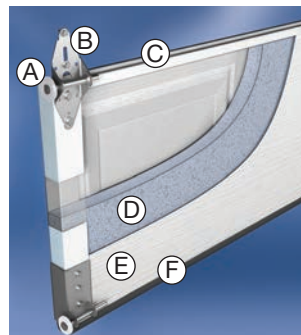


Green

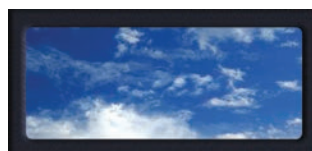


Black

Construction



- A** - 10 ball steel rollers provide long lasting durability
- B** - Heavy-duty galvanized 14 gauge hardware
- C** - Tongue and groove design provides weather-tight section joints
- D** - Expanded polystyrene insulation provides an R-value of 10.25
- E** - Steel skins inside and out provide maximum durability
- F** - Aluminum bottom retainer with vinyl weatherstrip



16" x 34" Window



12" x 24" Window



8" x 24" Window

Windows – Available insulated (white or black frame) with a Full Vision option in double-strength glass or plexiglass. Call for more window options.

Safe-Way Garage Doors



Garage Door Openers

Liftmaster® openers offer rugged reliability and exceptional all-around performance. Manufactured with the highest level of safety and monitoring systems, rest easy knowing that your operator will safely operate.

Residential Openers								
Series	Model	Drive System	Power	Voltage/Phase	Lighting System	Wi-Fi	Warranty	Included Accessories
Elite	8550W	Belt Drive	DC	115V 60Hz	2 lights (100 watts max/light)	Yes	Lifetime on motor & belt	3-Button Remote, Smart Control Panel, Integrated Battery Backup
	8557W	Belt Drive	3/4 HP	115V 60Hz	2 lights (100 watts max/light)	Yes	Lifetime on motor & belt	3-Button Remote, Smart Control Panel
	8587W	Chain Drive	3/4 HP	115V 60Hz	2 lights (100 watts max)	Yes	Lifetime on motor	3-Button Remote, Smart Control Panel
	8500 (wall mount)	Jackshaft	DC	115V 60Hz	1 light w remote		Lifetime on motor	3-Button Elite Remote, MyQ Control Panel, Remote Light
	J98002	Jackshaft	DC	120V 60Hz	Optional myQ Remote LED Light	Yes	2 years on motor	Safety Sensor Kit, Cable Tension Monitor Kit
Premium	8365-267 (in stock)	Chain Drive	1/2 HP	115V 60Hz	2 lights (100 watts max/light)		Lifetime on motor	(2) 3-Button Remotes, Multi-Function Control Panel, Wireless Keyless Entry
	8355	Belt Drive	1/2 HP	120V 60Hz	2 lights (100 watts max/light)		Lifetime on motor & belt	3-Button Remote, Multi-Function Control Panel
	8360	Chain Drive	DC	120V 60Hz	2 lights (100 watts max/light)		Lifetime on motor	3-Button Remote, Motion Detecting Control Panel

Note: All models available for 7', 8' and 10' door heights.

*A wide array of optional accessories are available. Call for details.



MyQ® Technology – All openers include MyQ® Technology, which enables secure monitoring and control of your garage door opener with a smartphone, tablet or laptop. Models 8550W, 8557W and 8587W come with Wi-Fi connectivity. All other models require the purchase of an Internet Gateway. Call for details.

Commercial Openers					
Model	Description	Drive System	Power	Warranty	Application
MJ	Medium-Duty	Jackshaft	1/2 HP	2 Year	For high or vertical lift sectional doors or small rolling doors and grilles
J	Industrial-Duty	Jackshaft	1/2 HP	2 Year	For high or vertical lift sectional doors, rolling doors and grilles
MH	Medium-Duty	Hoist	1/2 HP	2 Year	For high or vertical lift sectional doors or small rolling doors and grilles
MT	Medium-Duty	Trolley	1/2 HP	2 Year	For standard lift sectional doors
T	Industrial-Duty, Low-Profile	Trolley	1/2 HP	2 Year	For standard lift sectional doors

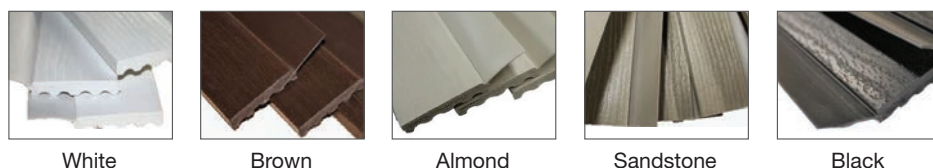
Note: All models available for 10', 12', 14' and 16' door heights.

Note: All models are UL325-2010 Compliant.



Weatherstrip

Garage door weatherstrip is available in 16' lengths in the following colors.



Exterior & Interior Doors

Exterior Doors

Beautiful, Durable, and Quality Exterior Door Systems

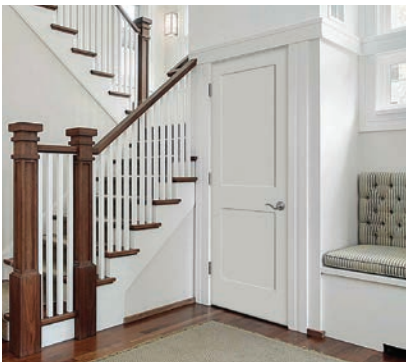
Francis-Schulze and Masonite are committed to delivering unsurpassed performance in exterior doors and glass products. With leading-edge product innovation and manufacturing excellence, Masonite is the premier name in entry doors, offering the most extensive portfolio of door designs and styles available. Francis-Schulze enhances those entry doors with top quality components and materials, creating a pre-hung door system that provides the exceptional performance our customers have come to expect. Each door is meticulously completed by skilled craftsmen using a combination of state-of-the-art equipment and handcrafted details.



Interior Doors

Handcrafted Construction Meets Modern Design

Francis-Schulze has partnered with Trimlite to provide our all-new interior door product line. With leading-edge product innovation and product excellence, Trimlite is the premier name in interior doors. Together, we offer an extensive portfolio of on-trend interior door designs and styles, which includes bifold doors, barn doors, French doors, and passage doors to provide an option for every space in your home. We also offer a full complement of components, delivering complete door solutions.



For more information, visit www.FrancisSchulze.com or call 1-800-762-1229.

Distribution

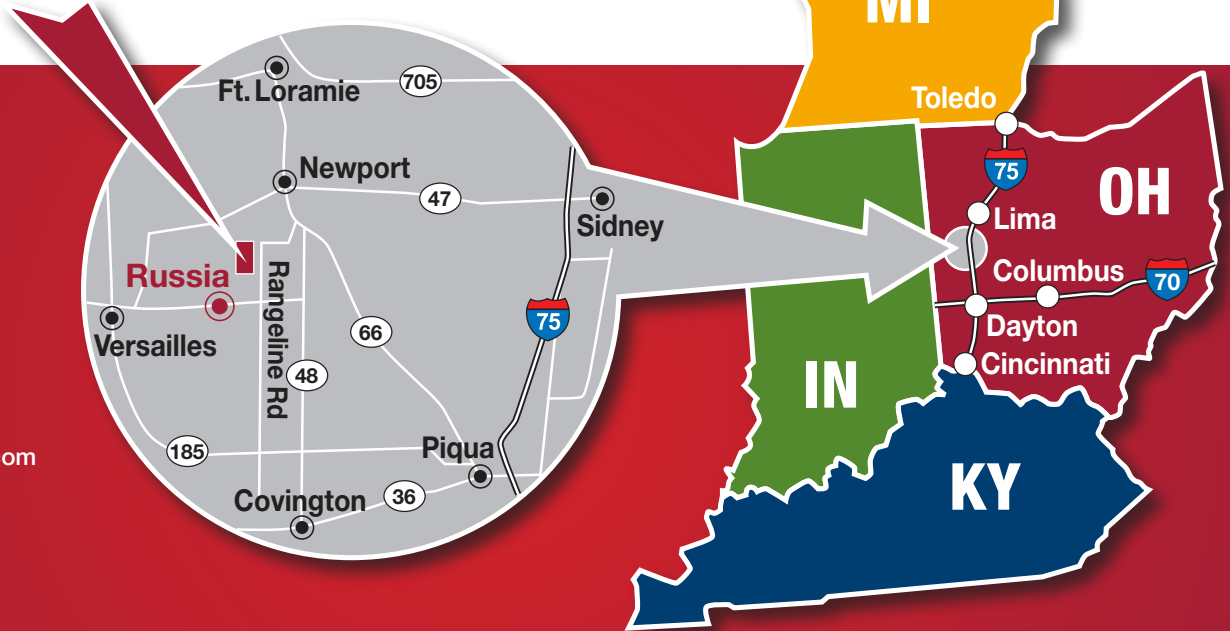
Francis-Schulze Company has a distribution network that covers four Midwestern states with a distribution center located in Russia, Ohio. We guarantee short lead times and weekly delivery to the entire service area on company owned and operated trucks. Shorter lead times allow our customers to rely on Francis-Schulze Company for the best wholesale service available. Our operation includes a state-of-the-art manufacturing facility, skilled craftsmen and a knowledgeable sales staff and customer service representatives – all important components in bringing value to the products we distribute.



Francis-Schulze Company has its own fleet of delivery vehicles allowing for shorter lead times and weekly deliveries.



3880 Rangeline Road
Russia, Ohio 45363
(937) 295-3941
(800) 762-1229
(937) 295-3706 fax
www.FrancisSchulze.com



MANUFACTURING



OFFICE



WAREHOUSE



800.762.1229 • www.FrancisSchulze.com